

67 ME 030-508

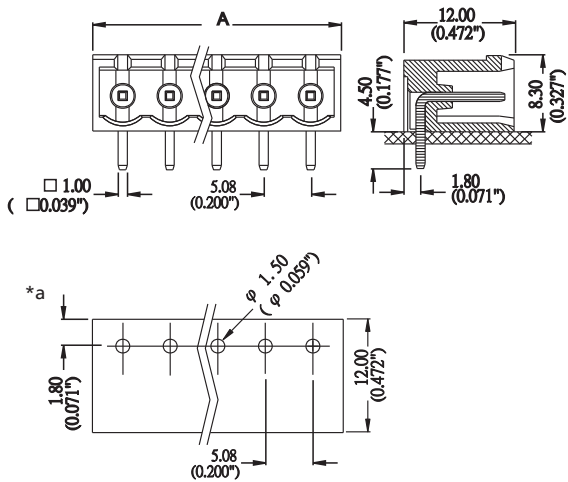
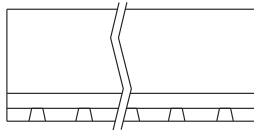
Pluggable terminal blocks on pin headers, pitch 5.08 mm



Pin header, with sidewalls, right angle version

Approvals:  

67 ME 030-508



*a printed circuit board layout

Environmental conditions

Temperature range -40 °C/+105 °C

Materials

Insulating body PA, V-0 according to UL94
Contact pin CuZn, tin-plated

Electrical data (at T_{amb} 20 °C)

Rated current 4 A (T_v 60 °C)
2 A (T_v 100 °C)
Rated voltage 250 V AC
Rated impulse voltage ≥ 2 kV
Insulation resistance > 5 GΩ

Associated products

Counterparts
 ☞ 6770 ☞ MC 100-508 ☞ MC 200-508
 ☞ MC 310-508

67

ME 030-508

Designation	Pole Number	PU (Pieces)	MDQ (Pieces)	Dimensions A (mm)
ME 030-508 02	2	500	1000	11.76
ME 030-508 03	3	500	1000	16.84
ME 030-508 04	4	500	1000	21.92
ME 030-508 05	5	400	1000	27.00
ME 030-508 06	6	300	1000	32.08
ME 030-508 08	8	200	1000	42.24

Packaging:

in bulk, in a plastic bag