


02 024016

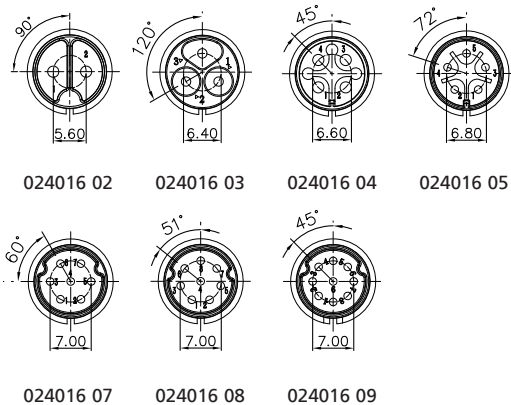
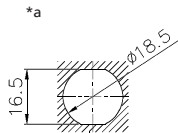
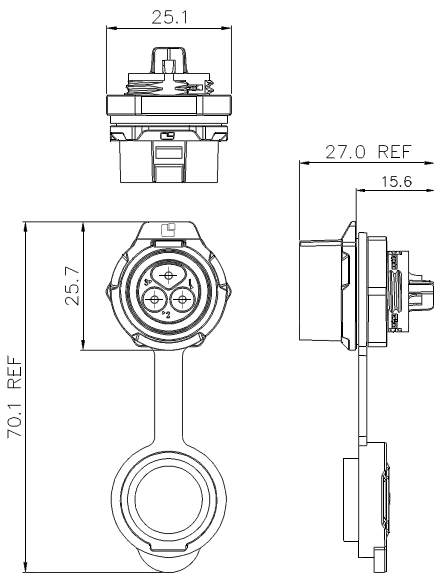
Quicklock circular connectors, IP67



Quicklock chassis plug, IP67, size 16, straight version, with plastic housing, solder terminals and protecting cap (IP65)

Approvals: 

02 024016



*a port

Environmental conditions

Temperature range -40 °C/+80 °C

Materials

Insulating body PBT, V-0 according to UL94
 Contact pin CuZn, gold-plated
 Housing PBT, V-0 according to UL94¹
 Cap SI
 Hexagonal nut PBT, V-0 according to UL94

¹ outdoor sustainable (F1 according to UL 746C)

Mechanical data

Protection class IP67 (protecting cap IP65)¹

¹ only in locked condition with an appropriate counterpart

Connectable conductors for solder area

Section 1.0–1.5 mm²/AWG 18–16 (2–4 poles)
 0.34–0.75 mm²/AWG 22–20 (5–7 poles)
 0.25–0.34 mm²/AWG 24–22 (8–9 poles)

Electrical data (at T_{amb} 20 °C)

Contact resistance ≤ 5 mΩ
 Rated current 10 A (2–4 poles)
 5 A (5–9 poles)
 Rated voltage 400 V
 Rated impulse voltage 2500 V AC
 Creepage distance ≥ 2 mm
 Clearance ≥ 2 mm
 Insulation resistance > 500 MΩ

Associated products

Counterparts
 ☑ 026516

02 024016

Designation	Pole Number	PU (Pieces)	MDQ (Pieces)
024016 02	2	10	50
024016 03	3	10	50
024016 04	4	10	50
024016 05	5	10	50
024016 07	7	10	50
024016 08	8	10	50
024016 09	9	10	50

Packaging:

in individual plastic bags, in a cardboard box