

02 024028

Quicklock circular connectors, IP67



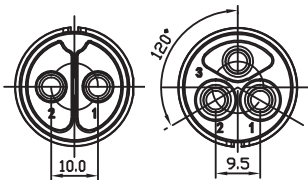
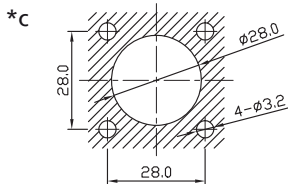
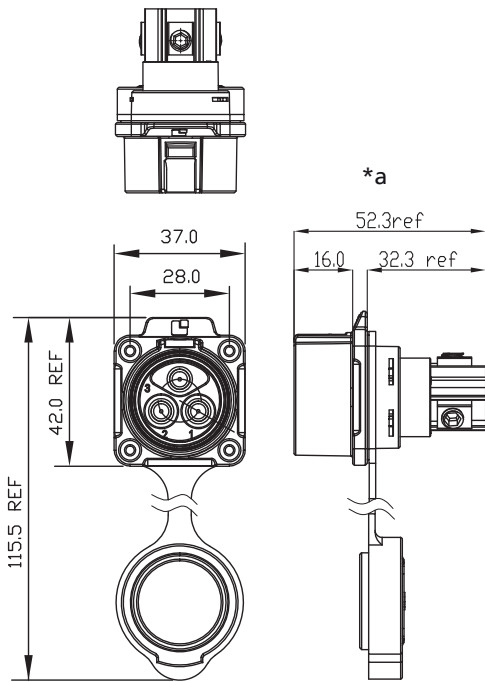
Quicklock flange chassis plug, IP67, size 28, straight version, with metal housing, screw clamps and protecting cap (IP65)

---

Approvals:



02 024028



024028 02

024028 03

\*a 2 and 3 pole versions with screw clamps  
\*c port

### Environmental conditions

Temperature range -40 °C/+80 °C

### Materials

Insulating body	PBT, V-0 according to UL94
Contact pin	CuZn, gold-plated
Housing	Zn alloy, chrome-plated
Cap	SI

### Mechanical data

Protection class IP67 (protecting cap IP65)<sup>1</sup>

<sup>1</sup> only in locked condition with an appropriate counterpart

### Connectable conductors for screw clamp

Section 2.5–16.0 mm<sup>2</sup>/AWG 14–6

### Electrical data (at T<sub>amb</sub> 20 °C)

Contact resistance	≤ 5 mΩ
Rated current	50 A (2 poles) 43 A (3 poles)
Rated voltage	500 V AC
Rated impulse voltage	≤ 2500 V
Creepage distance	≥ 2 mm
Clearance	≥ 2 mm
Insulation resistance	> 500 MΩ

### Associated products

Counterparts  
☞ 026528

02 024028

Designation	Pole Number	PU (Pieces)	MDQ (Pieces)
024028 02	2	4	20
024028 03	3	4	20

**Packaging:**

in individual plastic bags, in a cardboard box