


02 0252

Quicklock circular connectors, IP67



Quicklock plug with locking latch, IP67, size 20, straight version, with plastic housing and solder terminals

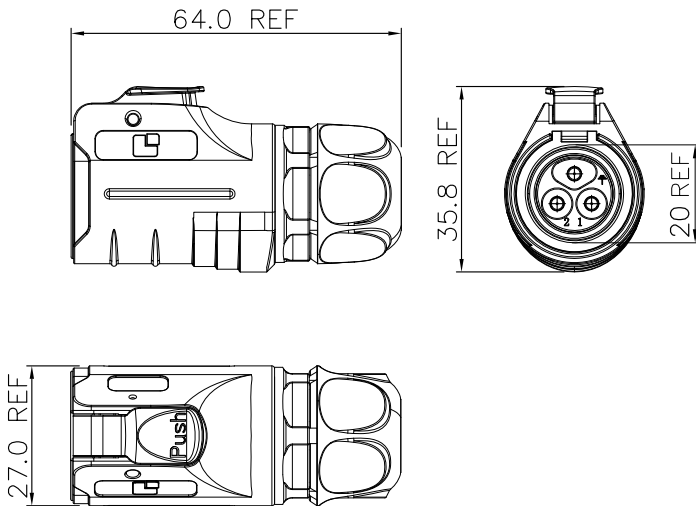
---

Approvals: 

---

02 0252

**Pin configurations, mating side view**



**Environmental conditions**

Temperature range -40 °C/+80 °C

**Materials**

Insulating body	PBT, V-0 according to UL94
Contact pin	CuZn, gold-plated
Housing	PBT, V-0 according to UL94 <sup>1</sup>
Locking	Zn-alloy, chrome-plated
Cap nut	PBT, V-0 according to UL94 <sup>1</sup>

<sup>1</sup> outdoor sustainable (F1 according to UL 746C)

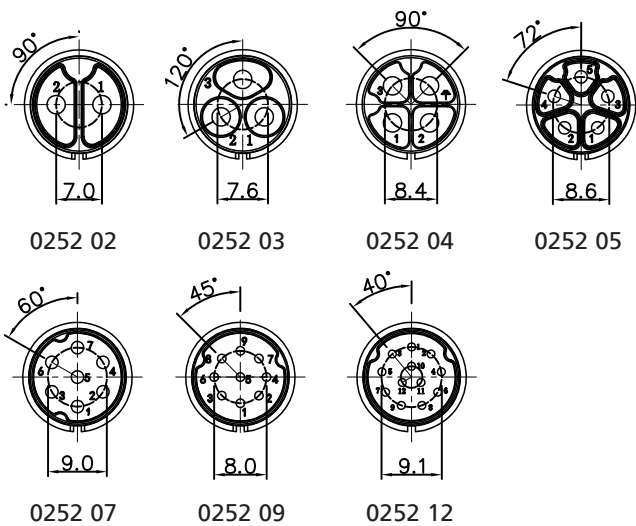
**Mechanical data**

Protection class IP67<sup>1</sup>

<sup>1</sup> only in locked condition with an appropriate counterpart

**Connectable conductors for solder area**

Section	2.5–4.0 mm <sup>2</sup> /AWG 14–12 (2–4 poles) 1.0–1.5 mm <sup>2</sup> /AWG 18–16 (5–7 poles) 0.34–0.75 mm <sup>2</sup> /AWG 22–20 (9–12 poles)
Cable diameter	7.0–13.0 mm



**Electrical data (at T<sub>amb</sub> 20 °C)**

Contact resistance	≤ 5 mΩ
Rated current	20 A (2–4 poles) 12 A (5–7 poles) 5 A (9–12 poles)
Rated voltage	500 V
Rated impulse voltage	2500 V AC (2–7 poles) 1500 V AC (9–12 poles)
Creepage distance	≥ 2 mm
Clearance	≥ 2 mm
Insulation resistance	> 500 MΩ

**Associated products**

Counterparts  
[↗ 0262](#)                      [↗ 0272](#)

Accessories  
[↗ 029020](#)

02 0252

Designation	Pole Number	PU (Pieces)	MDQ (Pieces)
0252 02	2	10	40
0252 03	3	10	40
0252 04	4	10	40
0252 05	5	10	40
0252 07	7	10	40
0252 09	9	10	40
0252 12	12	10	40

**Packaging:**

in individual plastic bags, in a cardboard box