

02 0254

Quicklock circular connectors, IP67



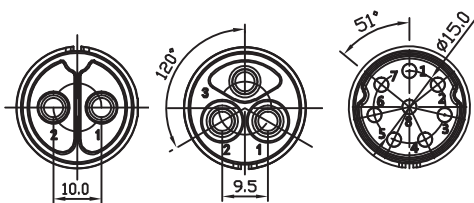
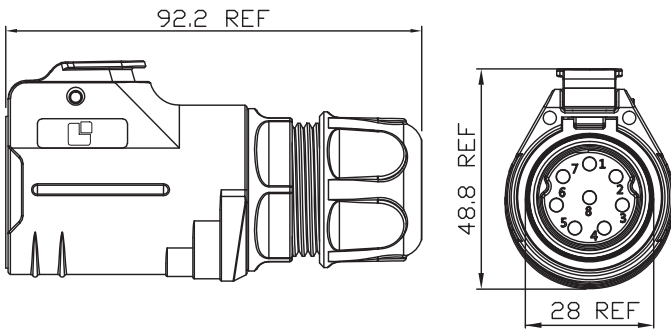
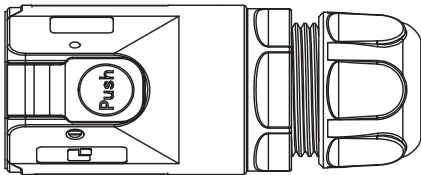
Quicklock plug with locking latch, IP67, size 28, straight version, with plastic housing and screw clamps (8-pole version with solder terminals)

---

Approvals:  02/03 poles

---

02 0254



0254 02

0254 03

0254 08

### Environmental conditions

Temperature range -40 °C/+80 °C

### Materials

Insulating body	PBT, V-0 according to UL94
Contact pin	CuZn, gold-plated
Housing	PBT, V-0 according to UL94 <sup>1</sup>
Guiding element	Zn alloy, chrome-plated
Locking	Zn-alloy, chrome-plated
Cap nut	PBT, V-0 according to UL94 <sup>1</sup>

<sup>1</sup> outdoor sustainable (F1 according to UL 746C)

### Mechanical data

Protection class IP67<sup>1</sup>

<sup>1</sup> only in locked condition with an appropriate counterpart

### Connectable conductors for screw clamp

Section	2.5–16.0 mm <sup>2</sup> /AWG 14–6 (2–3 poles)
Cable diameter	4.0–11.5 mm

### Connectable conductors for solder area

Section	1.5–4.0 mm <sup>2</sup> /AWG 16–12 (8 poles)
Cable diameter	4.0–11.5 mm

### Electrical data (at T<sub>amb</sub> 20 °C)

Contact resistance	≤ 5 mΩ
Rated current	50 A (2 poles) 43 A (3 poles) 17 A (8 poles)
Rated voltage	500 V AC
Rated impulse voltage	≤ 2500 V
Creepage distance	≥ 2 mm
Clearance	≥ 2 mm
Insulation resistance	> 500 MΩ

02

0254

---

**Associated products**

Counterparts

[↗ 0264](#)

[↗ 0274](#)

---

02 0254

Designation	Pole Number	PU (Pieces)	MDQ (Pieces)
0254 02	2	2	20
0254 03	3	2	20
0254 08	8	2	20

**Packaging:**

in individual plastic bags, in a cardboard box