


02 0261

Quicklock circular connectors, IP67



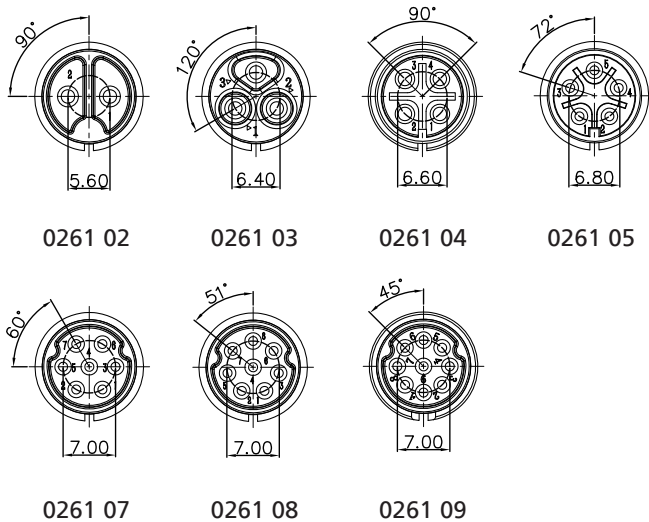
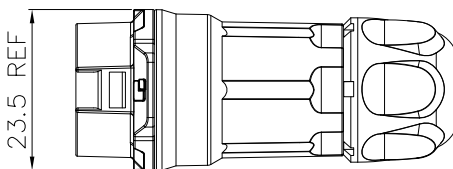
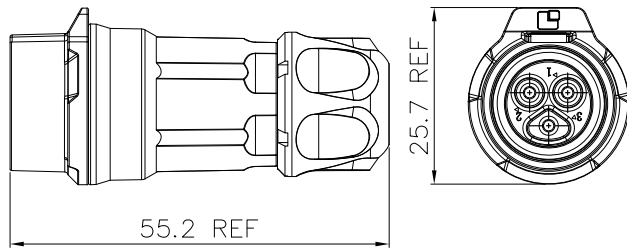
Quicklock socket, IP67, size 16, straight version, with plastic housing and solder terminals

Approvals: 

02

0261

Pin configurations, mating side view



Environmental conditions

Temperature range -40 °C/+80 °C

Materials

Insulating body PBT, V-0 according to UL94
 Contact bush CuSn, gold-plated
 Housing PBT, V-0 according to UL94¹
 Cap nut PBT, V-0 according to UL94¹

¹ outdoor sustainable (F1 according to UL 746C)

Mechanical data

Mating cycles 1700
 Insertion force ≤ 90 N
 Withdrawal force ≤ 40 N
 Protection class IP67¹

¹ only in locked condition with an appropriate counterpart

Connectable conductors for solder area

Section 10–15 mm²/AWG 18–16 (2–4 poles)
 0.34–0.75 mm²/AWG 22–20 (5–7 poles)
 0.25–0.34 mm²/AWG 24–22 (8–9 poles)
 Cable diameter 3.0–9.0 mm

Electrical data (at T_{amb} 20 °C)

Contact resistance ≤ 5 mΩ
 Rated current 10 A (2–4 poles)
 5 A (5–9 poles)
 Rated voltage 400 V
 Rated impulse voltage 2500 V AC
 Creepage distance ≥ 2 mm
 Clearance ≥ 2 mm
 Insulation resistance > 500 MΩ

Associated products

Counterparts
 ☞ 0251

02

0261

Designation	Pole Number	PU (Pieces)	MDQ (Pieces)
0261 02	2	10	50
0261 03	3	10	50
0261 04	4	10	50
0261 05	5	10	50
0261 07	7	10	50
0261 08	8	10	50
0261 09	9	10	50

Packaging:

in individual plastic bags, in a cardboard box