


02 0270

Quicklock circular connectors, IP67



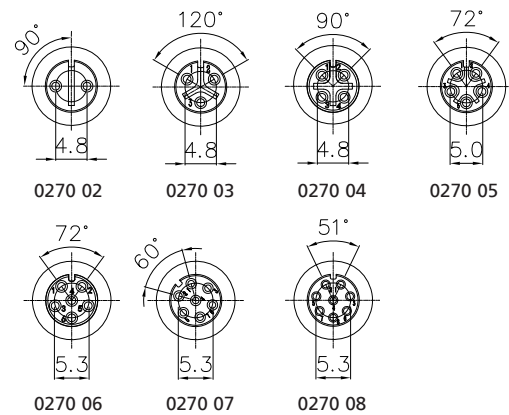
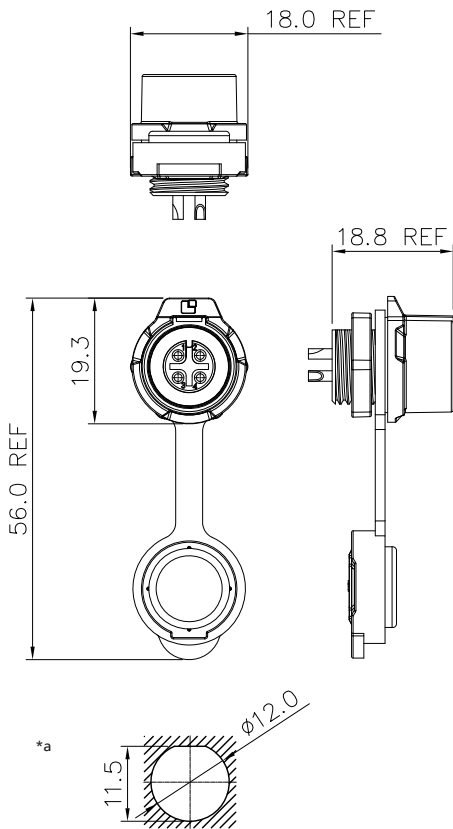
Quicklock chassis socket, IP67, size 12, straight version,
with plastic housing, solder terminals and protecting cap
(IP65)

Approvals: 

02

0270

Pin configurations, mating side view



*a port

Environmental conditions

Temperature range -40 °C/+80 °C

Materials

Insulating body PBT, V-0 according to UL94
 Contact bush CuSn, gold-plated
 Housing PBT, V-0 according to UL94¹
 Cap SI
 Hexagonal nut PBT, V-0 according to UL94

¹ outdoor sustainable (F1 according to UL 746C)

Mechanical data

Mating cycles 1700
 Insertion force ≤ 80 N
 Withdrawal force ≤ 50 N
 Protection class IP67 (protecting cap IP65)¹

¹ only in locked condition with an appropriate counterpart

Connectable conductors for solder area

Section 0.34–0.75 mm²/AWG 22–20 (2–6 poles)
 0.25–0.34 mm²/AWG 24–22 (7–8 poles)

Electrical data (at T_{amb} 20 °C)

Contact resistance ≤ 10 mΩ
 Rated current 5 A (2–6 poles)
 3 A (7–8 poles)
 Rated voltage 125 V
 Rated impulse voltage 1500 V AC
 Creepage distance ≥ 1,5 mm
 Clearance ≥ 0,5 mm
 Insulation resistance > 500 MΩ

Associated products

Counterparts
 ☞ 0250

02 0270

Designation	Pole Number	PU (Pieces)	MDQ (Pieces)
0270 02	2	15	60
0270 03	3	15	60
0270 04	4	15	60
0270 05	5	15	60
0270 06	6	15	60
0270 07	7	15	60
0270 08	8	15	60

Packaging:

in individual plastic bags, in a cardboard box