

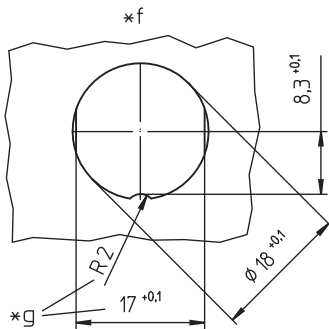
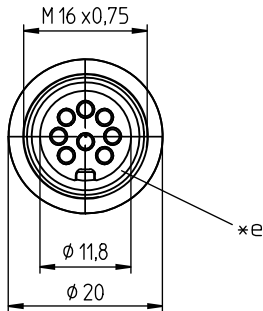
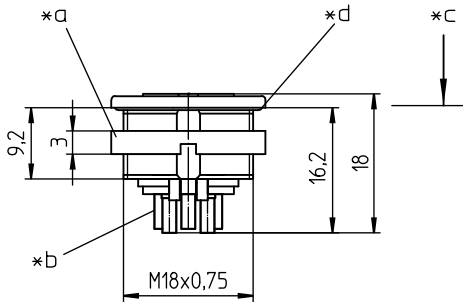
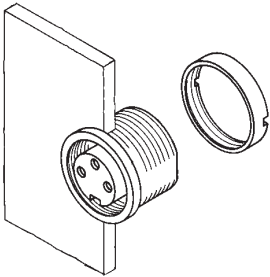
03 0304-2

Circular connectors with threaded joint M16 acc. to IEC 61076-2-106, IP40/IP68



SWUM™ chassis socket acc. to IEC 61076-2-106 and AISG specification, IP68/67, with threaded joint and solder terminals, for front mounting

03 0304-2



### Environmental conditions

Temperature range -40 °C/+85 °C

### Materials

Insulating body	PA, V-2 according to UL94
Contact bush	CuZn, silver-plated and flash gold-plated
Housing	Zn diecast, pre-copper and nickel-plated
Ring screw	CuZn, nickel-plated
Seal	CR (flat), NBR (O-ring)

### Mechanical data

Insertion force/contact	≤ 5.0 N <sup>1</sup>
Withdrawal force/contact	≥ 1.2 N <sup>1</sup>
Tightening torque connector	1-3 Nm
Tightening torque nut	1-3 Nm
Protection class	IP68/67 <sup>2</sup>

<sup>1</sup> measured with a polished steel pin, nominal thickness 1.5 mm

<sup>2</sup> according to IEC 60529/DIN EN 60529

IP68: sealed in locked position; pair of appropriate connectors in locked position is sealed against ingress of dust and moisture.

IP67: sealed when unmated (SWUM™); no dust or moisture can ingress into the inside of the device through an unmated connector accidentally left unprotected.

IPX8 requirements under agreement between user and manufacturer

### Connectable conductors for solder area

Section ≤ 0.75 mm<sup>2</sup> (AWG 20)

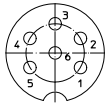
### Electrical data (at T<sub>amb</sub> 20 °C)

Contact resistance	≤ 5 mΩ
Rated current	5 A (T <sub>amb</sub> 40 °C)
Rated voltage	100 V (with pollution degree 1) 32 V (with pollution degree 2)
Rated impulse voltage	500 V
Material group	II (IEC)/1 (UL) (400 ≤ CTI < 600)
Overvoltage category	I
Insulation resistance	> 100 MΩ

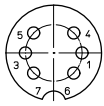
03

0304-2

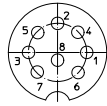
Pin configurations, solder side view



**06-a**  
0304-2 06



0304-2 06-1



**08-a**  
0304-2 08-1

- \*a nut enclosed separately
- \*b cup-shaped solder terminal
- \*c mounting direction
- \*d O-ring gasket
- \*e flat gasket
- \*f port in mounting plate
- \*g anti-rotation, alternative execution

Associated products

Counterparts

<a href="#">032200</a>	<a href="#">0331</a>	<a href="#">0332</a>
<a href="#">0332-1</a>	<a href="#">033200</a>	<a href="#">0365</a>
<a href="#">036500</a>	<a href="#">Weitere Produkte auf Anfrage</a>	<a href="#">Weitere Produkte auf Anfrage</a>

Accessories

<a href="#">0322 C 16</a>	<a href="#">0381</a>	<a href="#">038199</a>
<a href="#">0382</a>	<a href="#">0384</a>	<a href="#">0385</a>
<a href="#">038799</a>		

Harnessing equipment

[ZMS 20](#)

03

0304-2

Designation	Pole Number	PU (Pieces)	MDQ (Pieces)
0304-2 06	6	50	100
0304-2 06-1	6	50	100
0304-2 08-1	8	50	100

**Packaging:**

in a cardboard box