

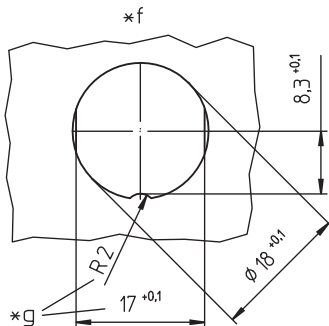
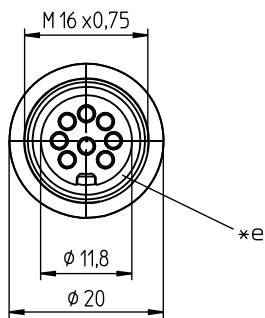
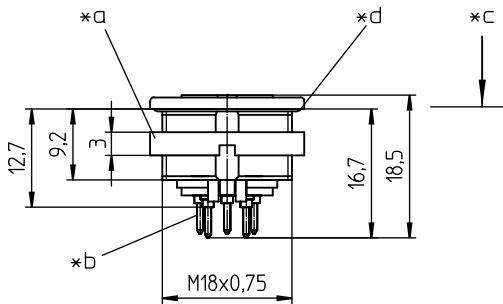
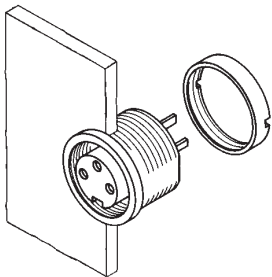
03 0306-2

Circular connectors with threaded joint M16 acc. to IEC 61076-2-106, IP40/IP67/IP68



SWUM™ chassis socket acc. to IEC 61076-2-106 and AISG specification, IP68/67, with threaded joint, for printed circuit boards, manual soldering, for front mounting

03 0306-2



Environmental conditions

Temperature range -40 °C/+85 °C

Materials

Insulating body	PA, V-2 according to UL94
Contact bush	CuZn, silver-plated and flash gold-plated, tin-plated in solder area
Housing	Zn diecast, pre-copper and nickel-plated
Ring screw	CuZn, nickel-plated
Seal	CR (flat), NBR (O-ring)

Mechanical data

Insertion force/contact	$\leq 5.0 \text{ N}^1$
Withdrawal force/contact	$\geq 1.2 \text{ N}^1$
Tightening torque connector	1-3 Nm
Tightening torque nut	1-3 Nm
Protection class	IP68/67 ²

¹ measured with a polished steel pin, nominal thickness 1.5 mm

² according to IEC 60529/DIN EN 60529

IP68: sealed in locked position; pair of appropriate connectors in locked position is sealed against ingress of dust and moisture.

IP67: sealed when unmated (SWUM™); no dust or moisture can ingress into the inside of the device through an unmated connector accidentally left unprotected.

IPX8 requirements under agreement between user and manufacturer

Electrical data (at $T_{\text{amb}} 20 \text{ °C}$)

Contact resistance	$\leq 5 \text{ m}\Omega$
Rated current	5 A ($T_{\text{amb}} 40 \text{ °C}$)
Rated voltage	60 V
Rated impulse voltage	1 kV/60 s
Material group	II (IEC)/I (UL) ($400 \leq CTI < 600$)
Overvoltage category	I
Insulation resistance	$> 100 \text{ M}\Omega$

Associated products

Counterparts

☞ 0331	☞ 0332	☞ 0332-1
☞ 033200	☞ 0365	☞ 036500
☞ Weitere Produkte auf Anfrage	☞ Weitere Produkte auf Anfrage	


Accessories

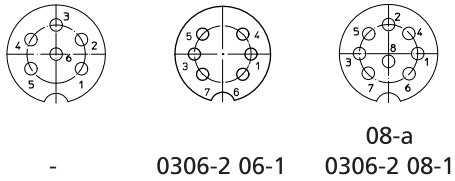
☞ 0322 C 16	☞ 0381	☞ 038199
☞ 0382	☞ 0384	☞ 0385

03

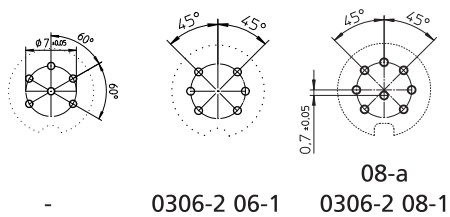
0306-2

Pin configurations, solder side view

 038799



Printed circuit board layout, solder side view



- *a nut enclosed separately
- *b for bore hole in printed circuit board $\varnothing 1$ mm
- *c mounting direction
- *d O-ring gasket
- *e flat gasket
- *f port in mounting plate
- *g anti-rotation, alternative execution

03

0306-2

Designation	Pole Number	PU (Pieces)	MDQ (Pieces)
0306-2 06-1	6	50	100
0306-2 08-1	8	50	100

Packaging:

in a cardboard box