

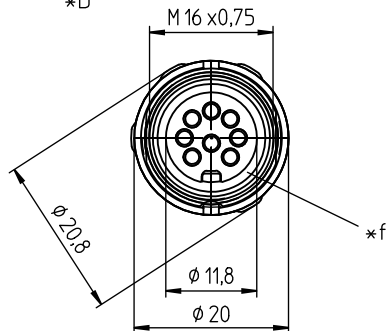
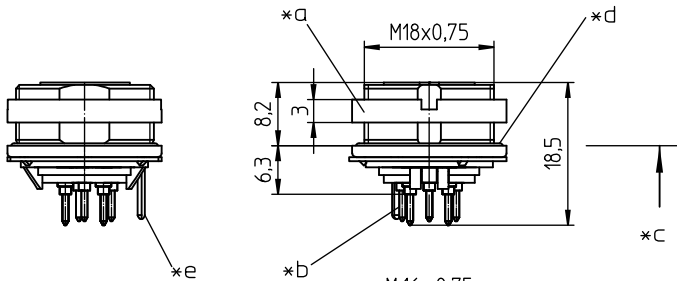
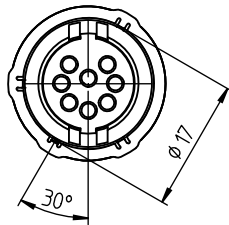
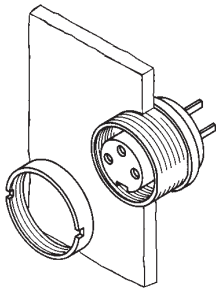
03 030798-2

Circular connectors with threaded joint M16 acc. to IEC 61076-2-106, IP40/IP68



SWUM™ chassis socket acc. to IEC 61076-2-106 and AISG specification, IP68/67, with threaded joint and ground contact, for printed circuit boards, manual soldering, for back side mounting

03 030798-2



Environmental conditions

Temperature range -40 °C/+85 °C

Materials

| | |
|-----------------|----------------------------------------------------------------------|
| Insulating body | PA, V-2 according to UL94 |
| Contact bush | CuZn, silver-plated and flash gold-plated, tin-plated in solder area |
| Ground contact | CuZn, pre-nickel and tin-plated |
| Housing | Zn diecast, pre-copper and nickel-plated |
| Ring screw | CuZn, nickel-plated |
| Seal | CR (flat), NBR (O-ring) |

Mechanical data

| | |
|-----------------------------|----------------------|
| Insertion force/contact | ≤ 5.0 N ¹ |
| Withdrawal force/contact | ≥ 1.2 N ¹ |
| Tightening torque connector | 1-3 Nm |
| Tightening torque nut | 1-3 Nm |
| Protection class | IP68/67 ² |

¹ measured with a polished steel pin, nominal thickness 1.5 mm

² according to IEC 60529/DIN EN 60529

IP68: sealed in locked position; pair of appropriate connectors in locked position is sealed against ingress of dust and moisture.

IP67: sealed when unmated (SWUM™); no dust or moisture can ingress into the inside of the device through an unmated connector accidentally left unprotected.
IPX8 requirements under agreement between user and manufacturer

Electrical data (at T_{amb} 20 °C)

| | |
|-----------------------|-------------------------------------------------------------------|
| Contact resistance | ≤ 5 mΩ |
| Rated current | 5 A (T _{amb} 40 °C) |
| Rated voltage | 100 V (with pollution degree 1) 32 V (with pollution degree 2) |
| Rated impulse voltage | 500 V |
| Material group | II (IEC)/1 (UL) (400 ≤ CTI < 600) |
| Overtoltage category | I |
| Insulation resistance | > 100 MΩ |

Associated products

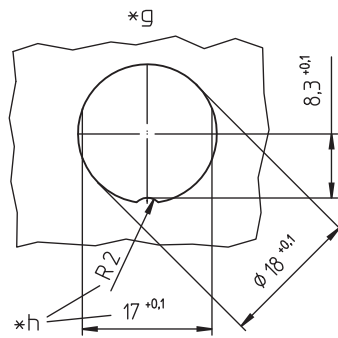
Counterparts

| | | |
|--------------------------------|--------------------------------|----------|
| ☞ 0331 | ☞ 0332 | ☞ 0332-1 |
| ☞ 033200 | ☞ 0365 | ☞ 036500 |
| ☞ Weitere Produkte auf Anfrage | ☞ Weitere Produkte auf Anfrage | |

Accessories

| | | |
|-------------|--------|----------|
| ☞ 0322 C 16 | ☞ 0381 | ☞ 038199 |
|-------------|--------|----------|

03 030798-2



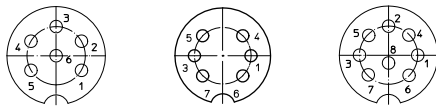
☞ 0384

☞ 0385

☞ 038799

Harnessing equipment
☞ ZMS 20

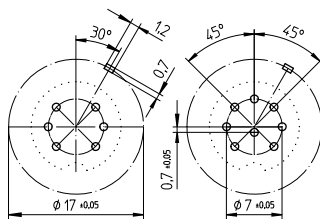
Pin configurations, solder side view



08-a

- 030798-2 06-1 030798-2 08-1

Printed circuit board layout, solder side view



08-a

030798-2 06-1 030798-2 08-1

03

030798-2

-
- *a nut enclosed separately
 - *b for bore hole in printed circuit board \varnothing 1 mm
 - *c mounting direction
 - *d O-ring gasket
 - *e ground contact
 - *f flat gasket
 - *g port in mounting plate
 - *h anti-rotation, alternative execution

03

030798-2

| Designation | Pole Number | PU (Pieces) | MDQ (Pieces) |
|---------------|-------------|-------------|--------------|
| 030798-2 06-1 | 6 | 50 | 100 |
| 030798-2 08-1 | 8 | 50 | 100 |

Packaging:

in a cardboard box