

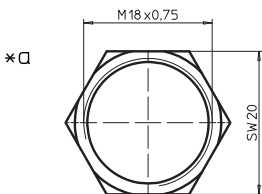
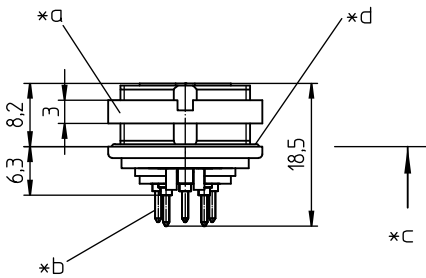
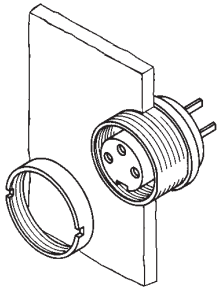
03 030799-2

Circular connectors with threaded joint M16 acc. to IEC 61076-2-106, IP40/IP68



SWUM™ chassis socket acc. to IEC 61076-2-106 and AISG specification, IP68/67, with threaded joint, for printed circuit boards, manual soldering, for back side mounting, with hexagonal nut

03 030799-2



Environmental conditions

Temperature range -40 °C/+85 °C

Materials

Insulating body	PA, V-2 according to UL94
Contact bush	CuZn, silver-plated and flash gold-plated, tin-plated in solder area
Housing	Zn diecast, pre-copper and nickel-plated
Hexagonal nut	CuZn, nickel-plated
Seal	CR (flat), NBR (O-ring)

Mechanical data

Insertion force/contact	≤ 5.0 N ¹
Withdrawal force/contact	≥ 1.2 N ¹
Tightening torque connector	1-3 Nm
Tightening torque nut	1-3 Nm
Protection class	IP68/67 ²

¹ measured with a polished steel pin, nominal thickness 1.5 mm

² according to IEC 60529/DIN EN 60529

IP68: sealed in locked position; pair of appropriate connectors in locked position is sealed against ingress of dust and moisture.

IP67: sealed when unmated (SWUM™); no dust or moisture can ingress into the inside of the device through an unmated connector accidentally left unprotected.

IPX8 requirements under agreement between user and manufacturer

Electrical data (at T_{amb} 20 °C)

Contact resistance	≤ 5 mΩ
Rated current	5 A (T _{amb} 40 °C)
Rated voltage	100 V (with pollution degree 1) 32 V (with pollution degree 2)
Rated impulse voltage	500 V
Material group	II (IEC)/1 (UL) (400 ≤ CTI < 600)
Overvoltage category	I
Insulation resistance	> 100 MΩ

Associated products

Counterparts

☞ 0331	☞ 0332	☞ 0332-1
☞ 033200	☞ 0365	☞ 036500

☞ Weitere Produkte auf Anfrage

Accessories

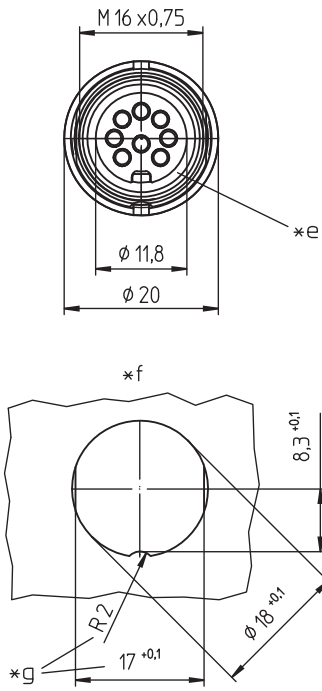
☞ 0322 C 16	☞ 0381	☞ 038199
-------------	--------	----------

03 030799-2

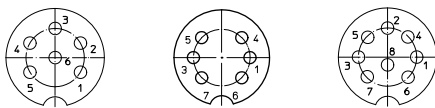
☞ 0384

☞ 0385

☞ 038799

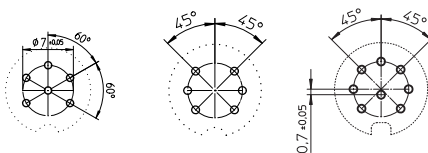


Pin configurations, solder side view



08-a
030799-2 08-1

Printed circuit board layout, solder side view



08-a
030799-2 08-1

03

030799-2

-
- *a nut enclosed separately (hexagonal nut instead of a slit nut)
 - *b for bore hole in printed circuit board $\varnothing 1$ mm
 - *c mounting direction
 - *d O-ring gasket
 - *e flat gasket
 - *f port in mounting plate
 - *g anti-rotation, alternative execution

03

030799-2

Designation	Pole Number	PU (Pieces)	MDQ (Pieces)
030799-2 08-1	8	50	100

Packaging:

in a cardboard box