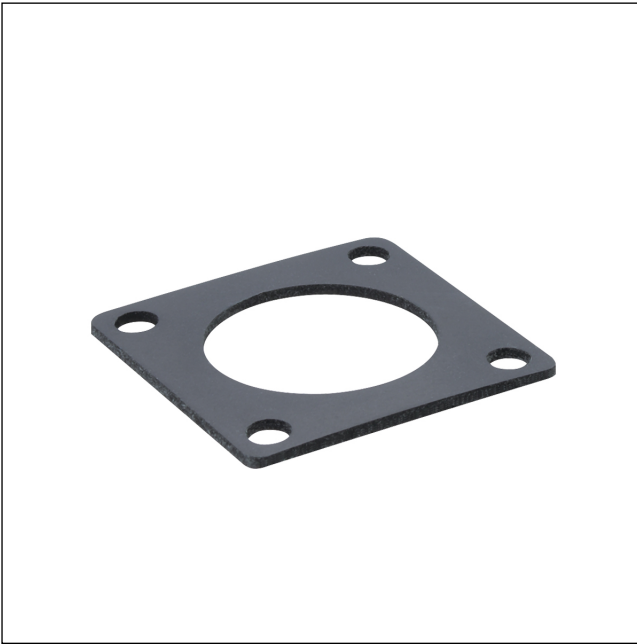


03

0308 C 02

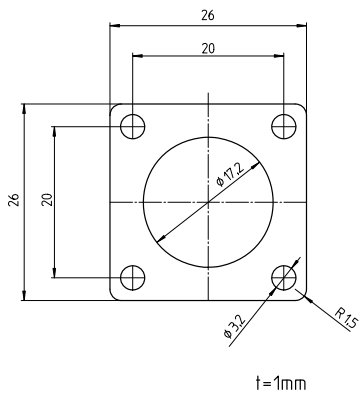
Circular connectors with threaded joint M16 acc. to IEC 61076-2-106, IP40/IP68



Flat gasket for flange chassis plugs and sockets

03

0308 C 02



#### Environmental conditions

Temperature range -40 °C/+85 °C

#### Materials

Seal NBR

#### Connectable conductors for IDT area

Section max. 0,25/0,75 mm<sup>2</sup> (AWG 24/20)

#### Electrical data (at T<sub>amb</sub> 20 °C)

Rated current 3/5 A  
Rated voltage 60/250 V AC

#### Associated products

##### Accessories

<a href="#">0308</a>	<a href="#">0308</a>	<a href="#">0308-1</a>
<a href="#">0308-1</a>	<a href="#">0308-2</a>	<a href="#">0308-2</a>
<a href="#">0318</a>	<a href="#">0318</a>	<a href="#">0318-1</a>
<a href="#">0318-1</a>	<a href="#">0318-2</a>	<a href="#">0318-2</a>
<a href="#">036297</a>	<a href="#">036297</a>	

03

0308 C 02

Designation	Pole Number	PU (Pieces)	MDQ (Pieces)
0308 C 02 VP15	-	250	250

**Packaging:**

in a cardboard box