

03

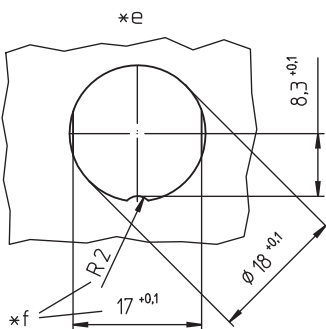
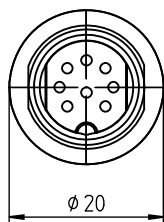
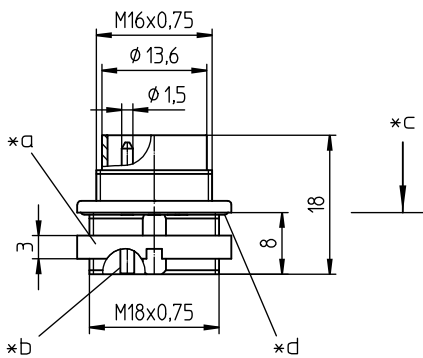
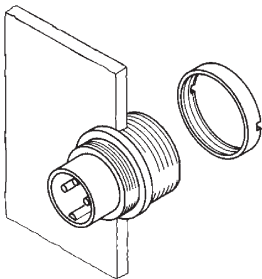
0314-2

Circular connectors with threaded joint M16 acc. to IEC 61076-2-106, IP40/IP68



SWUM™ chassis plug acc. to IEC 61076-2-106 and AISG specification, IP68/67, with threaded joint and solder terminals, for front mounting

03 0314-2



Environmental conditions

Temperature range -40 °C/+85 °C

Materials

Insulating body PA, V-2 according to UL94
 Contact pin CuZn, silver-plated and flash gold-plated
 Housing Zn diecast, pre-copper and nickel-plated
 Ring screw CuZn, nickel-plated
 Seal NBR

Mechanical data

Tightening torque connector 1-3 Nm
 Tightening torque nut 1-3 Nm
 Protection class IP68/67¹

¹ according to IEC 60529/DIN EN 60529
 IP68: sealed in locked position; pair of appropriate connectors in locked position is sealed against ingress of dust and moisture.

IP67: sealed when unmated (SWUM™); no dust or moisture can ingress into the inside of the device through an unmated connector accidentally left unprotected.
 IPX8 requirements under agreement between user and manufacturer

Connectable conductors for solder area

Section $\leq 0.75 \text{ mm}^2$ (AWG 20)

Electrical data (at $T_{\text{amb}} 20 \text{ °C}$)

Rated current 5 A ($T_{\text{amb}} 40 \text{ °C}$)
 Rated voltage 100 V (with pollution degree 1)
 32 V (with pollution degree 2)
 Rated impulse voltage 500 V
 Material group II (IEC)/1 (UL) ($400 \leq \text{CTI} < 600$)
 Overvoltage category I
 Insulation resistance $> 100 \text{ M}\Omega$

Associated products

Counterparts
 ☞ 0321 ☞ 0322 ☞ 0322-1
 ☞ 032200 ☞ 0360 ☞ 036000
 ☞ Weitere Produkte auf Anfrage ☞ Weitere Produkte auf Anfrage

Accessories
 ☞ 0382 ☞ 0383 ☞ 038399


03

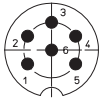
0314-2

Pin configurations, solder side view

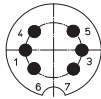
 0384

 0385

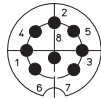
 038899



06-a
0314-2 06



0314-2 06-1



08-a
0314-2 08-1

- *a nut enclosed separately
- *b cup-shaped solder terminal
- *c mounting direction
- *d O-ring gasket
- *e port in mounting plate
- *f anti-rotation, alternative execution

03

0314-2

Designation	Pole Number	PU (Pieces)	MDQ (Pieces)
0314-2 06	6	50	100
0314-2 06-1	6	50	100
0314-2 08-1	8	50	100

Packaging:

in a cardboard box