

03

031798-1

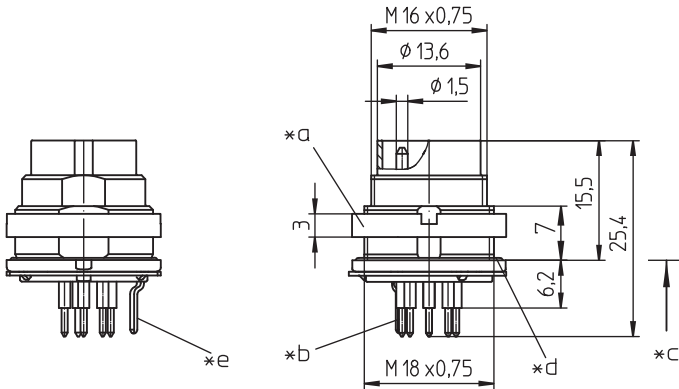
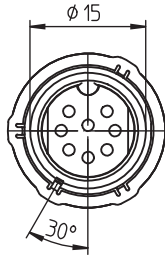
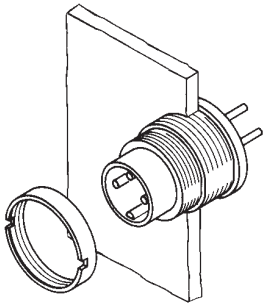
Circular connectors with threaded joint M16 acc. to IEC 61076-2-106, IP40/IP68



Chassis plug acc. to IEC 61076-2-106 and AISG specification, IP68, with threaded joint and ground contact, for printed circuit boards, for back side mounting

03

031798-1



#### Environmental conditions

Temperature range -40 °C/+85 °C

#### Materials

Insulating body	PA GF, V-0 according to UL94
Contact pin	CuZn, silver-plated and passivated, tin-plated in solder area
Ground contact	CuZn, pre-nickel and tin-plated
Housing	Zn diecast, pre-copper and nickel-plated
Ring screw	CuZn, nickel-plated
Seal	NBR

#### Mechanical data

Tightening torque connector	1-3 Nm
Tightening torque nut	1-3 Nm
Protection class	IP68 <sup>1</sup>

<sup>1</sup> according to IEC DIN EN 60529, only in locked condition with an appropriate counterpart; IPX8 requirements under agreement between manufacturer and user

#### Electrical data (at T<sub>amb</sub> 20 °C)

Rated current	5 A (T <sub>amb</sub> 40 °C)
Rated voltage	100 V (with pollution degree 1) 32 V (with pollution degree 2)
Rated impulse voltage	500 V
Material group	II (IEC)/I (UL) (400 ≤ CTI < 600)
Oversoltage category	I
Insulation resistance	> 100 MΩ

#### Associated products

##### Counterparts

<a href="#">☞ 0321</a>	<a href="#">☞ 0322</a>	<a href="#">☞ 0322-1</a>
<a href="#">☞ 032200</a>	<a href="#">☞ 0360</a>	<a href="#">☞ 036000</a>
<a href="#">☞ Weitere Produkte auf Anfrage</a>	<a href="#">☞ Weitere Produkte auf Anfrage</a>	

##### Accessories

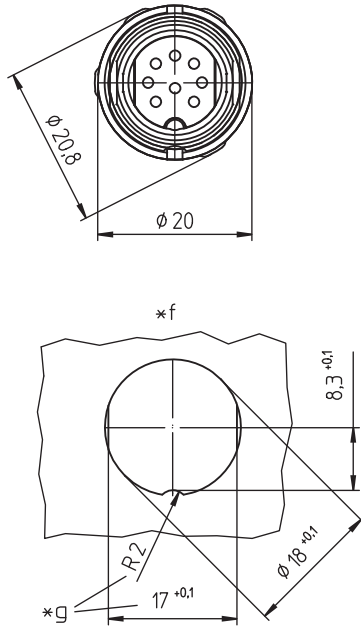
<a href="#">☞ 0383</a>	<a href="#">☞ 038399</a>	<a href="#">☞ 0384</a>
<a href="#">☞ 0385</a>	<a href="#">☞ 038899</a>	

##### Harnessing equipment

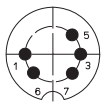
[☞ ZMS 20](#)

03

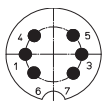
031798-1



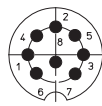
Pin configurations, solder side view



\*h



031798-1 05-3



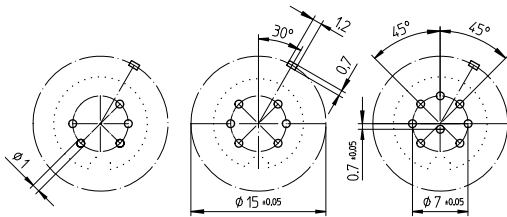
08-a

031798-1 06-1 031798-1 08-1

03

031798-1

Printed circuit board layout, solder side view



\*h

08-a

031798-1 05-3 031798-1 06-1 031798-1 08-1

- \*a nut enclosed separately
- \*b for bore hole in printed circuit board  $\varnothing 1$  mm
- \*c mounting direction
- \*d O-ring gasket
- \*e ground contact
- \*f port in mounting plate
- \*g anti-rotation, alternative execution
- \*h pin configuration according to AISG C485

03

031798-1

Designation	Pole Number	PU (Pieces)	MDQ (Pieces)
031798-1 05-3	5	50	
031798-1 08-1	8	50	100

**Packaging:**

in a cardboard box