

03

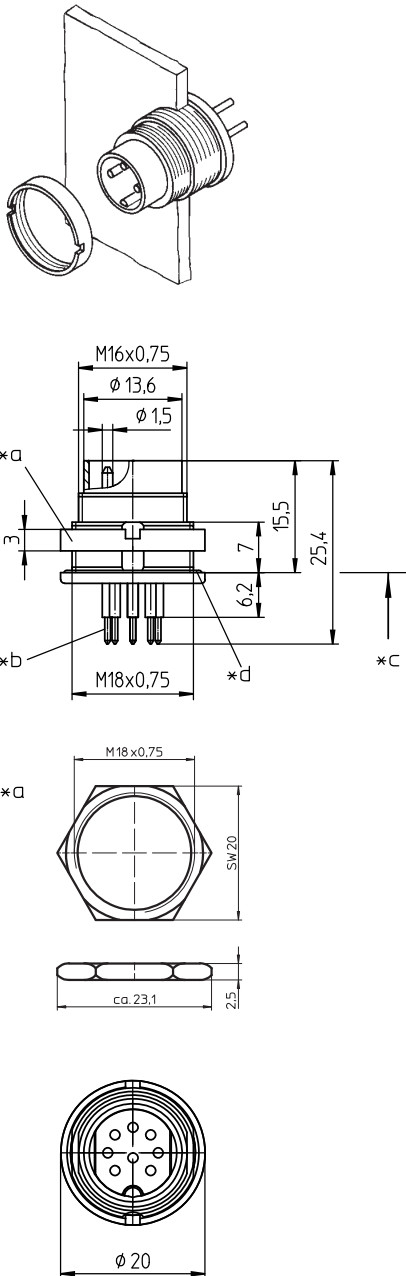
031799-2

Circular connectors with threaded joint M16 acc. to IEC 61076-2-106, IP40/IP68



SWUM™ chassis plug acc. to IEC 61076-2-106 and AISG specification, IP68/67, with threaded joint, for printed circuit boards, manual soldering, for back side mounting, with hexagonal nut

03 031799-2



#### Environmental conditions

Temperature range -40 °C/+85 °C

#### Materials

Insulating body	PA, V-2 according to UL94
Contact pin	CuZn, silver-plated and flash gold-plated, tin-plated in solder area
Housing	Zn diecast, pre-copper and nickel-plated
Hexagonal nut	CuZn, nickel-plated
Seal	NBR

#### Mechanical data

Tightening torque connector	1-3 Nm
Tightening torque nut	1-3 Nm
Protection class	IP68/67 <sup>1</sup>

<sup>1</sup> according to IEC 60529/DIN EN 60529  
IP68: sealed in locked position; pair of appropriate connectors in locked position is sealed against ingress of dust and moisture.

IP67: sealed when unmated (SWUM™); no dust or moisture can ingress into the inside of the device through an unmated connector accidentally left unprotected.  
IPX8 requirements under agreement between user and manufacturer

#### Electrical data (at T<sub>amb</sub> 20 °C)

Rated current	5 A (T <sub>amb</sub> 40 °C)
Rated voltage	100 V (with pollution degree 1) 32 V (with pollution degree 2)
Rated impulse voltage	500 V
Material group	II (IEC)/I (UL) (400 ≤ CTI < 600)
Overvoltage category	I
Insulation resistance	> 100 MΩ

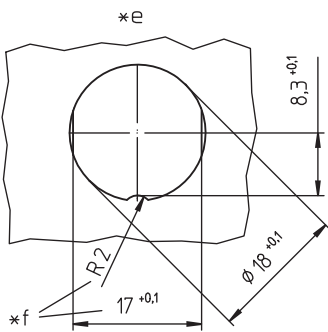
#### Associated products

Counterparts		
☞ 0321	☞ 0322	☞ 0322-1
☞ 032200	☞ 0360	☞ 036000
☞ Weitere Produkte auf Anfrage	☞ Weitere Produkte auf Anfrage	

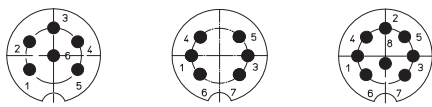
Accessories		
☞ 0383	☞ 038399	☞ 0384
☞ 0385	☞ 038899	

03

031799-2

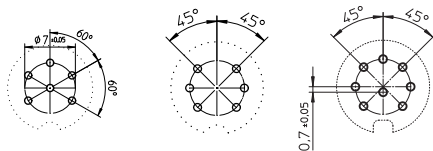


Pin configurations, solder side view



08-a  
031799-2 08-1

Printed circuit board layout, solder side view



08-a  
031799-2 08-1

- \*a nut enclosed separately (hexagonal nut instead of a slit nut)
- \*b for bore hole in printed circuit board  $\varnothing 1$  mm
- \*c mounting direction
- \*d O-ring gasket
- \*e port in mounting plate
- \*f anti-rotation, alternative execution

03

031799-2

Designation	Pole Number	PU (Pieces)	MDQ (Pieces)
031799-2 08-1	8	50	100

**Packaging:**

in a cardboard box