

03

0317-1

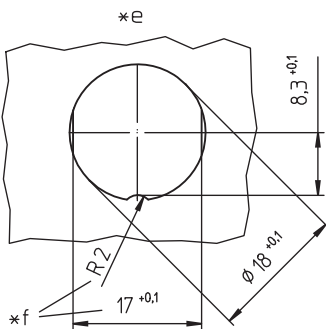
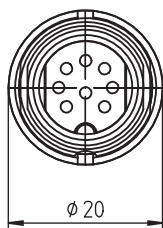
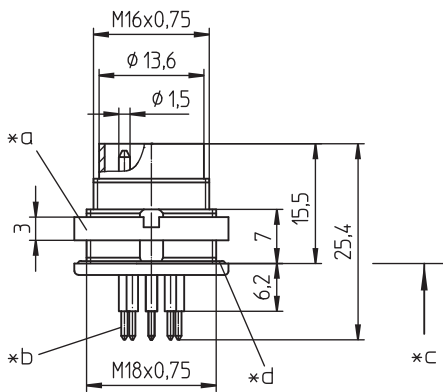
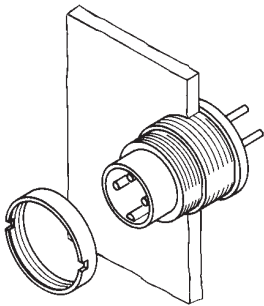
Circular connectors with threaded joint M16 acc. to IEC 61076-2-106, IP40/IP68



Chassis plug acc. to AISG specification and IEC 61076-2-106, IP68, with threaded joint, for printed circuit boards, for back side mounting

03

0317-1



Environmental conditions

Temperature range -40 °C/+85 °C

Materials

Insulating body PA GF, V-0 according to UL94
 Contact pin CuZn, silver-plated and passivated, tin-plated in solder area
 Housing Zn diecast, pre-copper and nickel-plated
 Ring screw CuZn, nickel-plated
 Seal NBR

Mechanical data

Tightening torque connector 1-3 Nm
 Tightening torque nut 1-3 Nm
 Protection class IP68¹

¹ according to IEC DIN EN 60529, only in locked condition with an appropriate counterpart; IPX8 requirements under agreement between manufacturer and user

Electrical data (at T_{amb} 20 °C)

Rated current 5 A (T_{amb} 40 °C)
 Rated voltage 100 V (with pollution degree 1)
 32 V (with pollution degree 2)
 Rated impulse voltage 500 V
 Material group II (IEC)/I (UL) (400 ≤ CTI < 600)
 Overvoltage category I
 Insulation resistance > 100 MΩ

Associated products

Counterparts

☞ 0321	☞ 0322	☞ 0322-1
☞ 032200	☞ 0360	☞ 036000
☞ Weitere Produkte auf Anfrage	☞ Weitere Produkte auf Anfrage	

Accessories

☞ 0383	☞ 038399	☞ 0384
☞ 0385	☞ 038899	

Harnessing equipment

☞ ZMS 20

03

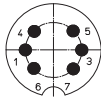
0317-1

Pin configurations, solder side view

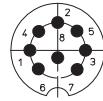


*g

0317-1 05-3



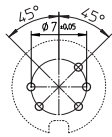
-



08-a

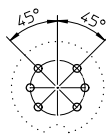
0317-1 08-1

Printed circuit board layout, solder side view

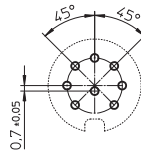


03-a

0317-1 05-3



-



05-b

0317-1 08-1

- *a nut enclosed separately
- *b for bore hole in printed circuit board $\varnothing 1$ mm
- *c mounting direction
- *d O-ring gasket
- *e port in mounting plate
- *f anti-rotation, alternative execution
- *g pin configuration according to AISG C485

03

0317-1

Designation	Pole Number	PU (Pieces)	MDQ (Pieces)
0317-105-3	5	50	100
0317-108-1	8	50	100

Packaging:

in a cardboard box