

03

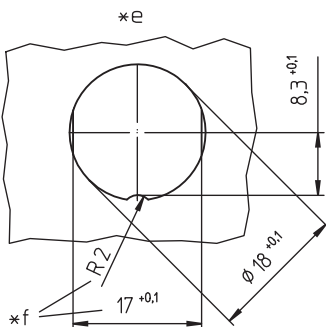
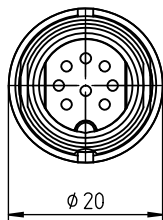
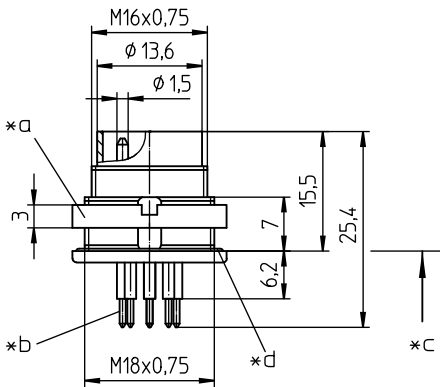
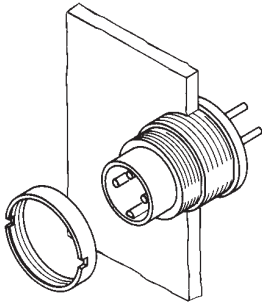
0317-2

Circular connectors with threaded joint M16 acc. to IEC 61076-2-106, IP40/IP67/IP68



SWUM™ chassis plug acc. to IEC 61076-2-106 and AISG specification, IP68/67, with threaded joint, for printed circuit boards, manual soldering, for rear mounting

03 0317-2



### Environmental conditions

Temperature range -40 °C/+85 °C

### Materials

|                 |  |
|-----------------|--|
| Insulating body | PA, V-2 according to UL94  |
| Contact pin     | CuZn, silver-plated and flash gold-plated, tin-plated in solder area |
| Housing         | Zn diecast, pre-copper and nickel-plated                             |
| Ring screw      | CuZn, nickel-plated  |
| Seal            | NBR  |

### Mechanical data

|                             |                      |
|-----------------------------|----------------------|
| Tightening torque connector | 1-3 Nm               |
| Tightening torque nut       | 1-3 Nm               |
| Protection class            | IP68/67 <sup>1</sup> |

<sup>1</sup> according to IEC 60529/DIN EN 60529  
IP68: sealed in locked position; pair of appropriate connectors in locked position is sealed against ingress of dust and moisture.

IP67: sealed when unmated (SWUM™); no dust or moisture can ingress into the inside of the device through an unmated connector accidentally left unprotected.  
IPX8 requirements under agreement between user and manufacturer

### Electrical data (at T<sub>amb</sub> 20 °C)

|                       |                                   |
|-----------------------|-----------------------------------|
| Rated current         | 5 A (T <sub>amb</sub> 40 °C)      |
| Rated voltage         | 60 V                              |
| Rated impulse voltage | 1 kV/60 s                         |
| Material group        | II (IEC)/1 (UL) (400 ≤ CTI < 600) |
| Overvoltage category  | I                                 |
| Insulation resistance | > 100 MΩ                          |

### Associated products

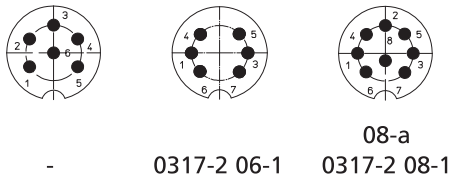
|              |                                |                                |
|--------------|--------------------------------|--------------------------------|
| Counterparts |                                |                                |
| ☞ 0321       | ☞ 0322                         | ☞ 0322-1                       |
| ☞ 0360       | ☞ Weitere Produkte auf Anfrage | ☞ Weitere Produkte auf Anfrage |

|             |          |        |
|-------------|----------|--------|
| Accessories |          |        |
| ☞ 0383      | ☞ 038399 | ☞ 0384 |
| ☞ 0385      | ☞ 038899 |        |

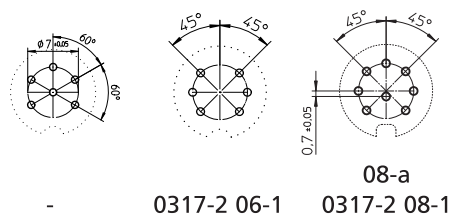
03

0317-2

Pin configurations, solder side view



Printed circuit board layout, solder side view



- \*a nut enclosed separately
- \*b for bore hole in printed circuit board  $\varnothing 1$  mm
- \*c mounting direction
- \*d O-ring gasket
- \*e port in mounting plate
- \*f anti-rotation, alternative execution

03

0317-2

| Designation | Pole Number | PU (Pieces) | MDQ (Pieces) |
|-------------|-------------|-------------|--------------|
| 0317-2 06-1 | 6           | 50          | 100          |
| 0317-2 08-1 | 8           | 50          | 100          |

**Packaging:**

in a cardboard box