

03

0318-1

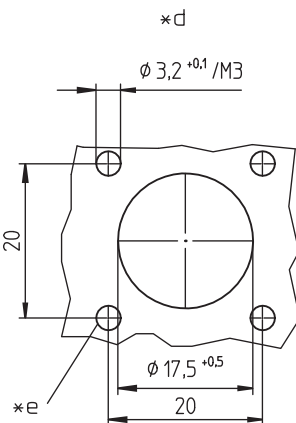
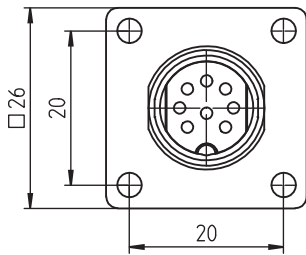
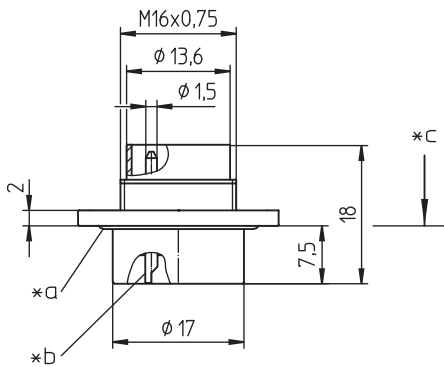
Circular connectors with threaded joint M16 acc. to IEC 61076-2-106, IP40/IP68



Flange chassis plug acc. to AISG specification and IEC 61076-2-106, IP68, with threaded joint and solder terminals, for front mounting

03

0318-1



Environmental conditions

Temperature range -40 °C/+85 °C

Materials

Insulating body PA GF, V-0 according to UL94
 Contact pin CuZn, silver-plated and flash gold-plated
 Housing Zn diecast, pre-copper and nickel-plated
 Seal EPDM

Mechanical data

Tightening torque connector 1-3 Nm
 Tightening torque nut 1-3 Nm
 Protection class IP68¹

¹ according to IEC DIN EN 60529, only in locked condition with an appropriate counterpart; IPX8 requirements under agreement between manufacturer and user

Connectable conductors for solder area

Section $\leq 0.75 \text{ mm}^2$ (AWG 20)

Electrical data (at $T_{\text{amb}} 20 \text{ °C}$)

Rated current 5 A ($T_{\text{amb}} 40 \text{ °C}$)
 Rated voltage 100 V (with pollution degree 1)
 32 V (with pollution degree 2)
 Rated impulse voltage 500 V
 Material group II (IEC)/1 (UL) ($400 \leq CTI < 600$)
 Overvoltage category I
 Insulation resistance $> 100 \text{ M}\Omega$

Associated products

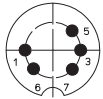
Counterparts
 ☞ 0321 ☞ 0322 ☞ 0322-1
 ☞ 032200 ☞ 0360 ☞ 036000
 ☞ Weitere Produkte auf Anfrage ☞ Weitere Produkte auf Anfrage

Accessories
 ☞ 0308 C 02 ☞ 0383 ☞ 038399
 ☞ 038899

03

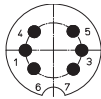
0318-1

Pin configurations, solder side view

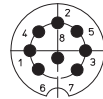


*f

0318-1 05-3



-



08-a

0318-1 08-1

- *a O-ring gasket
- *b cup-shaped solder terminal
- *c mounting direction
- *d port in mounting plate
- *e provide for suitable sealing of screws
- *f pin configuration according to AISG C485

03

0318-1

Designation	Pole Number	PU (Pieces)	MDQ (Pieces)
0318-105-3	5	50	100
0318-108-1	8	50	100

Packaging:

in a cardboard box