

03

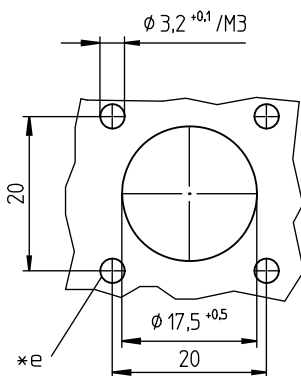
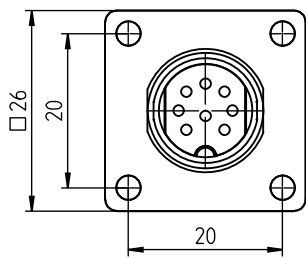
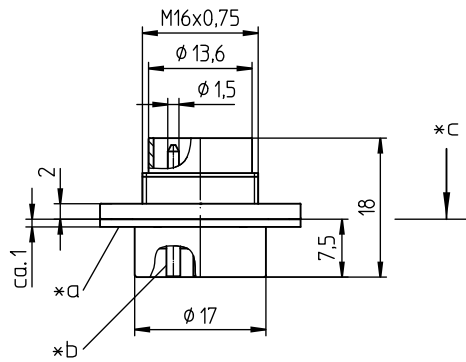
0318-2

Circular connectors with threaded joint M16 acc. to IEC 61076-2-106, IP40/IP68

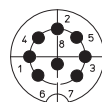
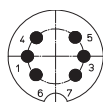
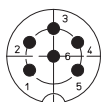


SWUM™ flange chassis plug acc. to IEC 61076-2-106 and AISG specification, IP68/67, with threaded joint and solder terminals, for front mounting

03 0318-2



Pin configurations, solder side view



- 0318-2 06-1 08-a 0318-2 08-1

Environmental conditions

Temperature range -40 °C/+85 °C

Materials

Insulating body PA, V-2 according to UL94
 Contact pin CuZn, silver-plated and flash gold-plated
 Housing Zn diecast, pre-copper and nickel-plated
 Seal NBR

Mechanical data

Tightening torque connector 1-3 Nm
 Tightening torque nut 1-3 Nm
 Protection class IP68/67¹

¹ according to IEC 60529/DIN EN 60529
 IP68: sealed in locked position; pair of appropriate connectors in locked position is sealed against ingress of dust and moisture.

IP67: sealed when unmated (SWUM™); no dust or moisture can ingress into the inside of the device through an unmated connector accidentally left unprotected.
 IPX8 requirements under agreement between user and manufacturer

Connectable conductors for solder area

Section $\leq 0.75 \text{ mm}^2$ (AWG 20)

Electrical data (at $T_{\text{amb}} 20 \text{ °C}$)

Rated current 5 A ($T_{\text{amb}} 40 \text{ °C}$)
 Rated voltage 100 V (with pollution degree 1)
 32 V (with pollution degree 2)
 Rated impulse voltage 500 V
 Material group II (IEC)/I (UL) ($400 \leq \text{CTI} < 600$)
 Overvoltage category I
 Insulation resistance $> 100 \text{ M}\Omega$


Associated products

Counterparts
 ☞ 0321 ☞ 0322 ☞ 0322-1
 ☞ 032200 ☞ 0360 ☞ 036000
 ☞ Weitere Produkte auf Anfrage ☞ Weitere Produkte auf Anfrage
 Accessories
 ☞ 0308 C 02 ☞ 0383 ☞ 038399

03

0318-2

-
- *a flat gasket
 - *b cup-shaped solder terminal
 - *c mounting direction
 - *d port in mounting plate
 - *e provide for suitable sealing of screws

 038899

03

0318-2

Designation	Pole Number	PU (Pieces)	MDQ (Pieces)
0318-2 06-1	6	50	100
0318-2 08-1	8	50	100

Packaging:

in a cardboard box