

03

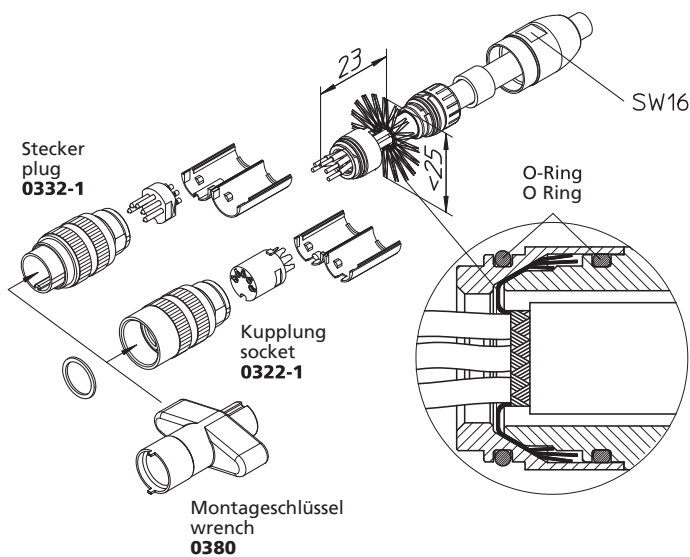
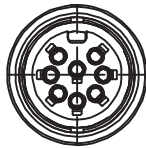
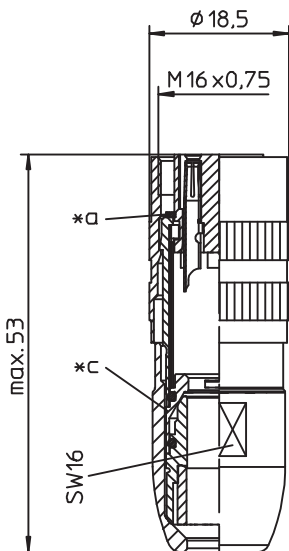
0322-1

Circular connectors with threaded joint M16 acc. to IEC 61076-2-106, IP40/IP68



Socket acc. to AISG specification and IEC 61076-2-106, IP68, with threaded joint and solder terminals, shielded at 360°

03 0322-1



**Environmental conditions**

Temperature range -40 °C/+85 °C

**Materials**

Insulating body	PA GF, V-0 according to UL94
Contact bush	CuZn, silver-plated and flash gold-plated
Insulating sleeve	PA, V-2 according to UL94
Clamp	PA, V-0 according to UL94
Housing/shielding	CuZn, nickel-plated/Zn diecast, pre-copper and nickel-plated
Knurled nut	CuZn, nickel-plated
Seal	CR/EPDM/NBR

**Mechanical data**

Insertion force/contact	< 5.0 N <sup>1</sup>
Withdrawal force/contact	≥ 1.2 N <sup>1</sup>
Tightening torque connector	1–3 Nm
Tightening torque nut	1–3 Nm
Protection class	IP68 <sup>2</sup>

<sup>1</sup> measured with a polished steel pin, nominal thickness 1.5 mm

<sup>2</sup> according to IEC DIN EN 60529, only in locked condition with an appropriate counterpart; IPX8 requirements under agreement between manufacturer and user

**Connectable conductors for solder area**

Section	≤ 0.75 mm <sup>2</sup> (AWG 20)
Cable diameter	4–8 mm

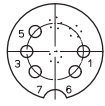
**Electrical data (at T<sub>amb</sub> 20 °C)**

Contact resistance	≤ 5 mΩ
Rated current	5 A (T <sub>amb</sub> 40 °C)
Rated voltage	100 V (pollution degree 1) 32 V (pollution degree 2)
Rated impulse voltage	500 V
Material group	II (IEC)/1 (UL) (400 ≤ CTI < 600)
Overvoltage category	I
Insulation resistance	> 100 MΩ

03

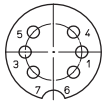
0322-1

Pin configurations, solder side view

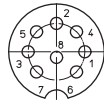


\*d

0322-1 05-3



0322-1 06-1



08-a

0322-1 08-1

\*a flat gasket

\*c shielding

\*d pin configuration according to AISG C485

Associated products

Counterparts

<a href="#">0314</a>	<a href="#">0314-1</a>	<a href="#">0314-2</a>
<a href="#">0315</a>	<a href="#">0315-1</a>	<a href="#">0315-1 U</a>
<a href="#">0315-2</a>	<a href="#">0316</a>	<a href="#">0316-1</a>
<a href="#">0316-2</a>	<a href="#">0317</a>	<a href="#">0317-1</a>
<a href="#">0317-2</a>	<a href="#">031798-1</a>	<a href="#">031798-2</a>
<a href="#">031799-2</a>	<a href="#">0318</a>	<a href="#">0318-1</a>
<a href="#">0318-2</a>	<a href="#">0331</a>	<a href="#">0332</a>
<a href="#">0332-1</a>	<a href="#">033200</a>	<a href="#">0365</a>
<a href="#">036500</a>	<a href="#">Weitere Produkte auf Anfrage</a>	<a href="#">Weitere Produkte auf Anfrage</a>
Accessories		
<a href="#">0322 C 16</a>	<a href="#">0381</a>	<a href="#">038199</a>
<a href="#">038799</a>		

03

0322-1

Designation	Pole Number	PU (Pieces)	MDQ (Pieces)
0322-105-3	5	50	100
0322-106-1	6	50	100
0322-108-1	8	50	100

**Packaging:**

sets of individual parts in plastic bags, in a cardboard box