

03

0332-1

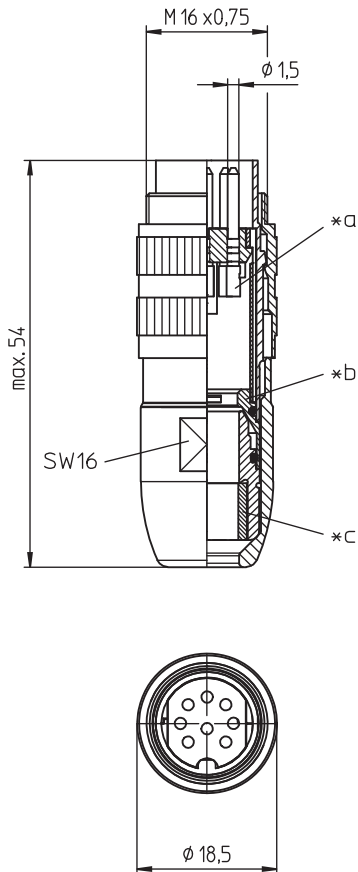
Circular connectors with threaded joint M16 acc. to IEC 61076-2-106, IP40/IP68



Plug acc. to AISG specification and IEC 61076-2-106, IP68,
with threaded joint and solder terminals, shielded at 360°

03

0332-1



Environmental conditions

Temperature range -40 °C/+85 °C

Materials

Insulating body	PA GF, V-0 according to UL94
Contact pin	CuZn, silver-plated and flash gold-plated
Insulating sleeve	PA, V-2 according to UL94
Clamp	PA, V-0 according to UL94
Housing/shielding	CuZn, nickel-plated/Zn diecast, pre-copper and nickel-plated
Knurled screw	CuZn, nickel-plated
Seal	EPDM/NBR

Mechanical data

Tightening torque connector	1–3 Nm
Tightening torque nut	1–3 Nm
Protection class	IP68 ¹

¹ according to IEC DIN EN 60529, only in locked condition with an appropriate counterpart; IPX8 requirements under agreement between manufacturer and user

Connectable conductors for solder area

Section	≤ 0.75 mm ² (AWG 20)
Cable diameter	4–8 mm

Electrical data (at T_{amb} 20 °C)

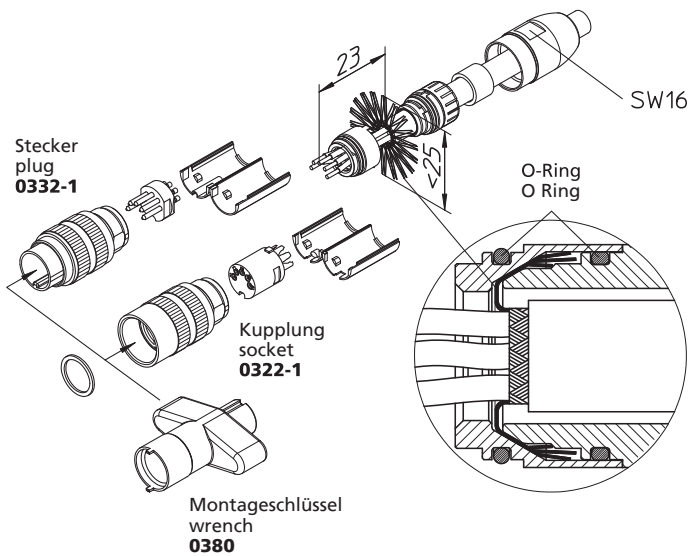
Rated current	5 A (T _{amb} 40 °C)
Rated voltage	100 V (pollution degree 1) 32 V (pollution degree 2)
Rated impulse voltage	500 V
Material group	II (IEC)/1 (UL) (400 ≤ CTI < 600)
Overtoltage category	I
Insulation resistance	> 100 MΩ

Associated products

Counterparts		
☞ 0304	☞ 0304-1	☞ 0304-2
☞ 0305	☞ 0305-1	☞ 0305-1 U
☞ 0305-2	☞ 0306	☞ 0306-1
☞ 0306-2	☞ 0307	☞ 0307-1
☞ 0307-2	☞ 030798-1	☞ 030798-2
☞ 030799-2	☞ 0308	☞ 0308-1

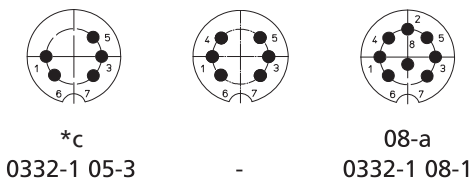
03

0332-1



0308-2	0321	0322
0322-1	032200	0360
036000	0362	036297
0363	Weitere Produkte auf Anfrage	Weitere Produkte auf Anfrage
Accessories		
0383	038399	038899

Pin configurations, solder side view



- *a solder cup for iron soldering
- *b shielding ring
- *c pin configuration according to AISG C485

03

0332-1

Designation	Pole Number	PU (Pieces)	MDQ (Pieces)
0332-105-3	5	50	100
0332-108-1	8	50	100

Packaging:

sets of individual parts in plastic bags, in a cardboard box