

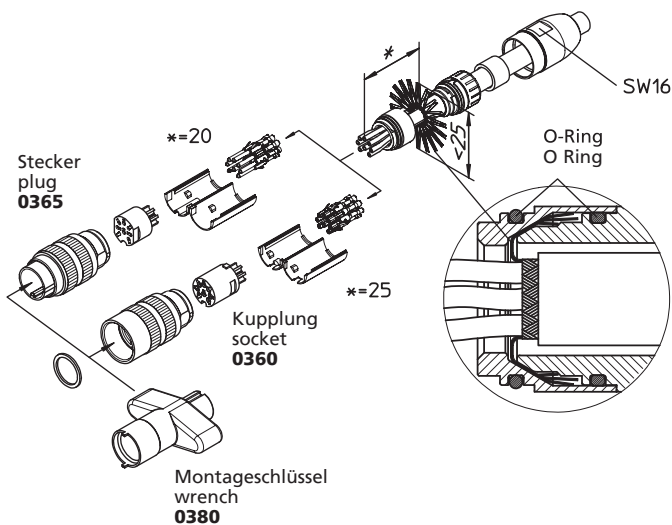
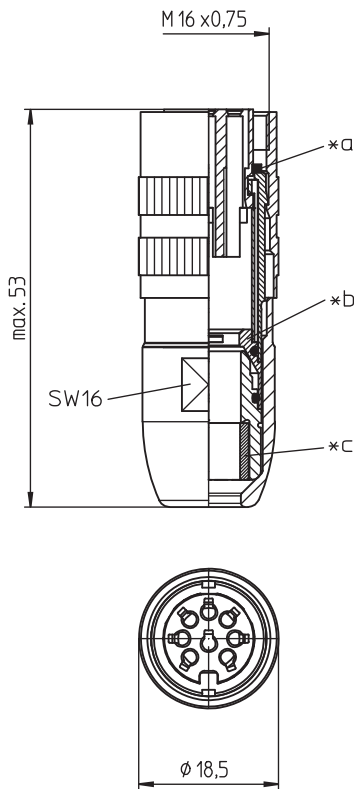
03 0360

Circular connectors with threaded joint M16 acc. to IEC 61076-2-106, IP40/IP68



Socket acc. to AISG specification and IEC 61076-2-106, IP68, with threaded joint, empty housing for reception of crimp contacts, shielded at 360°

03 0360



Environmental conditions

Temperature range -40 °C/+85 °C

Materials

Insulating body	PA GF, V-0 according to UL94
Insulating sleeve	PA, V-2 according to UL94
Clamp	PA, V-0 according to UL94
Housing	CuZn, nickel-plated
Housing/shielding	CuZn, nickel-plated/Zn diecast, pre-copper and nickel-plated
Knurled screw	CuZn, nickel-plated
Seal	CR/EPDM/NBR

Mechanical data

Insertion force/contact	≤ 3,0 N ¹
Withdrawal force/contact	≥ 1,2 N ¹
Tightening torque connector	1–3 Nm
Tightening torque nut	1–3 Nm
Protection class	IP68 ²

¹ measured with a proper counterpart

² according to IEC DIN EN 60529, only in locked condition with an appropriate counterpart; IPX8 requirements under agreement between manufacturer and user

Connectable conductors for crimp area

Cable diameter 4–8 mm

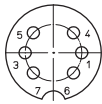
Electrical data (at T_{amb} 20 °C)

Rated current	5 A (T _{amb} 40 °C)
Rated voltage	100 V (pollution degree 1) 32 V (pollution degree 2)
Rated impulse voltage	500 V
Material group	II (IEC)/I (UL) (400 ≤ CTI < 600)
Overvoltage category	I
Creepage distance	2,5 mm/2,0 mm
Clearance	2,5 mm/2,0 mm
Insulation resistance	> 100 MΩ
Further data	see suitable crimp contact

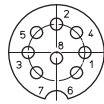
Pin configurations, crimp side view



***d**
0360 05-3



0360 06-1



08-a
0360 08-1

- *a gasket
- *b shielding
- *c gasket
- *d pin configuration according to AISG C485

Associated products

Counterparts

0314	0314-1	0314-2
0315	0315-1	0315-1 U
0315-2	0316	0316-1
0316-2	0317	0317-1
0317-2	031798-1	031798-2
031799-2	0318	0318-1
0318-2	0331	0332
0332-1	033200	0365
036500	Weitere Produkte auf Anfrage	Weitere Produkte auf Anfrage
Accessories		
0322 C 16	0364	0381
038199	038799	

03

0360

Designation	Pole Number	PU (Pieces)	MDQ (Pieces)
0360 05-3	5	50	100
0360 06-1	6	50	100
0360 08-1	8	50	100

Packaging:

individual parts in bulk, sorted in plastic bags, in a cardboard box