

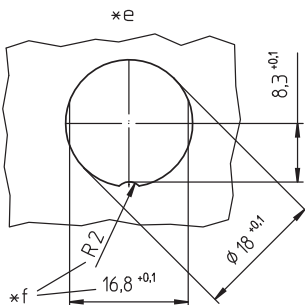
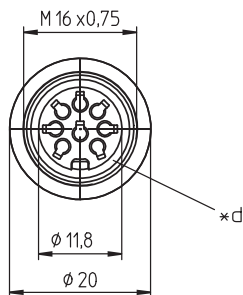
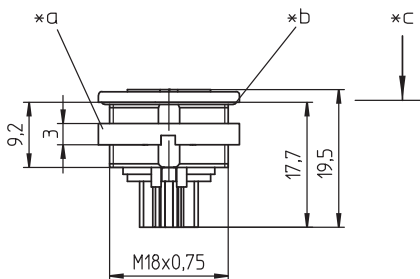
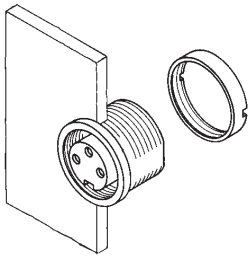
03 0362

Circular connectors with threaded joint M16 acc. to IEC 61076-2-106, IP40/IP68



Chassis socket acc. to AISG specification and IEC 61076-2-106, IP68, with threaded joint, empty housing for reception of crimp contacts, for front mounting

03 0362



Environmental conditions

Temperature range -40 °C/+85 °C

Materials

Insulating body PA GF, V-0 according to UL94
 Housing Zn diecast, pre-copper and nickel-plated
 Ring screw CuZn, nickel-plated
 Seal CR (flat), NBR (O-ring)

Mechanical data

Insertion force/contact ≤ 3,0 N¹
 Withdrawal force/contact ≥ 1,2 N¹
 Tightening torque connector 1-3 Nm
 Tightening torque nut 1-3 Nm
 Protection class IP68²

¹ measured with a proper counterpart

² according to IEC DIN EN 60529, only in locked condition with an appropriate counterpart; IPX8 requirements under agreement between manufacturer and user

Electrical data (at T_{amb} 20 °C)

Rated current 5 A (T_{amb} 40 °C)
 Rated voltage 100 V (with pollution degree 1)
 32 V (with pollution degree 2)
 Rated impulse voltage 500 V
 Material group II (IEC)/1 (UL) (400 ≤ CTI < 600)
 Overvoltage category I
 Insulation resistance > 100 MΩ
 Further data see suitable crimp contact

Associated products

Counterparts
 ☞ 0331 ☞ 0332 ☞ 0332-1
 ☞ 033200 ☞ 0365 ☞ 036500
 ☞ Weitere Produkte auf Anfrage ☞ Weitere Produkte auf Anfrage

Accessories
 ☞ 0322 C 16 ☞ 0364 V109 ☞ 0381
 ☞ 038199 ☞ 0382 ☞ 0384
 ☞ 0385 ☞ 038799

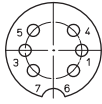
03

0362

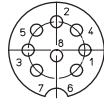
Pin configurations, crimp side view



***g**
0362 05-3



0362 06-1



08-a
0362 08-1

- *a nut enclosed separately
- *b O-ring gasket
- *c mounting direction
- *d flat gasket
- *e port in mounting plate
- *f anti-rotation, alternative execution
- *g pin configuration according to AISG C485

03

0362

Designation	Pole Number	PU (Pieces)	MDQ (Pieces)
0362 05-3	5	50	100
0362 06-1	6	50	100
0362 08-1	8	50	100

Packaging:

in a cardboard box