

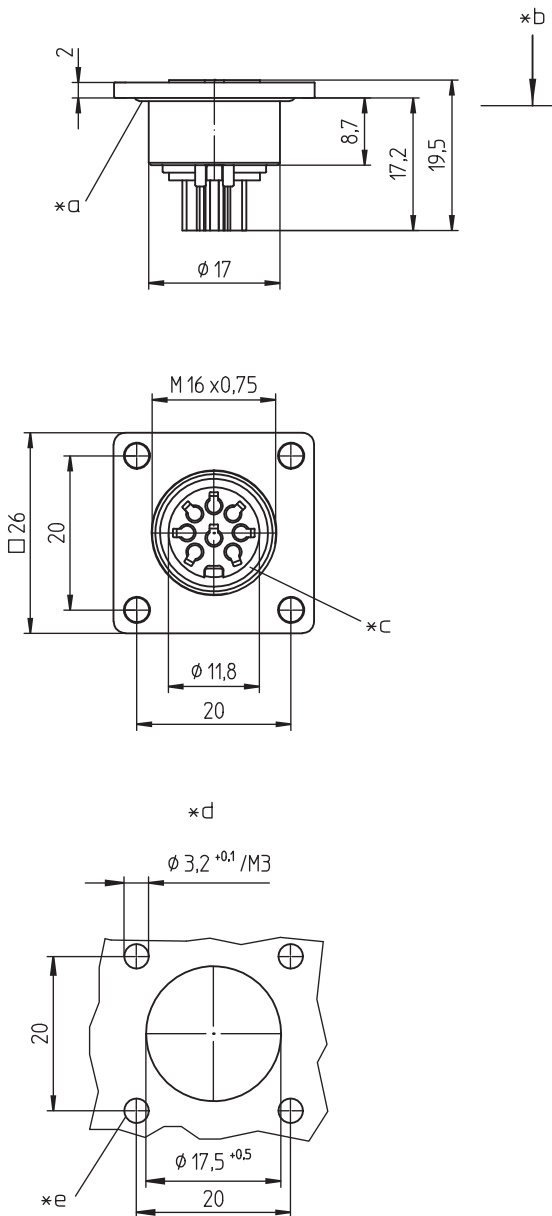
03 036297

Circular connectors with threaded joint M16 acc. to IEC 61076-2-106, IP40/IP68



Flange chassis socket acc. to AISG specification and IEC 61076-2-106, IP68, with threaded joint, empty housing for reception of crimp contacts, for front mounting

03 036297



Environmental conditions

Temperature range -40 °C/+85 °C

Materials

Insulating body	PA GF, V-0 according to UL94
Housing	Zn diecast, pre-copper and nickel-plated
Ring screw	CuZn, nickel-plated
Seal	CR (flat), EPDM (O-ring)

Mechanical data

Insertion force/contact	≤ 3,0 N ¹
Withdrawal force/contact	≥ 1,2 N ¹
Tightening torque connector	1-3 Nm
Tightening torque nut	1-3 Nm
Protection class	IP68 ²

¹ measured with a proper counterpart

² according to IEC DIN EN 60529, only in locked condition with an appropriate counterpart; IPX8 requirements under agreement between manufacturer and user

Electrical data (at T_{amb} 20 °C)

Rated current	5 A (T _{amb} 40 °C)
Rated voltage	100 V (with pollution degree 1) 32 V (with pollution degree 2)
Rated impulse voltage	500 V
Material group	II (IEC)/1 (UL) (400 ≤ CTI < 600)
Overvoltage category	I
Insulation resistance	> 100 MΩ
Further data	see suitable crimp contact

Associated products

Counterparts

☞ 0331	☞ 0332	☞ 0332-1
☞ 033200	☞ 0365	☞ 036500
☞ Weitere Produkte auf Anfrage	☞ Weitere Produkte auf Anfrage	

Accessories

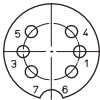
☞ 0308 C 02	☞ 0322 C 16	☞ 0364 V109
☞ 0381	☞ 038199	☞ 038799

Pin configurations, crimp side view

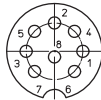


*f

036297 05-3



036297 06-1



08-a

036297 08-1

- *a O-ring gasket
- *b mounting direction
- *c flat gasket
- *d port in mounting plate
- *e provide for suitable sealing of screws
- *f pin configuration according to AISG C485

03

036297

Designation	Pole Number	PU (Pieces)	MDQ (Pieces)
036297 05-3	5	50	100
036297 06-1	6	50	100
036297 08-1	8	50	100

Packaging:

in a cardboard box