

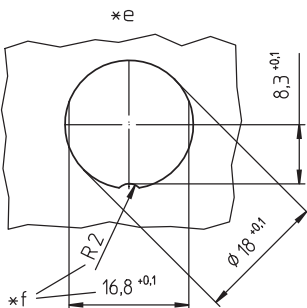
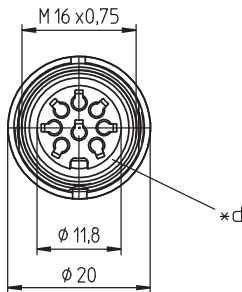
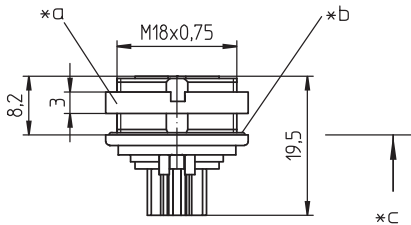
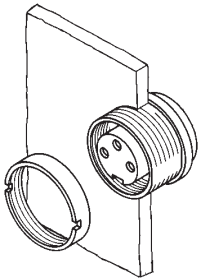
03 0363

Circular connectors with threaded joint M16 acc. to IEC 61076-2-106, IP40/IP68



Chassis socket acc. to AISG specification and IEC 61076-2-106, IP68, with threaded joint, empty housing for reception of crimp contacts, for back side mounting

03 0363



### Environmental conditions

Temperature range -40 °C/+85 °C

### Materials

Insulating body PA GF, V-0 according to UL94  
 Housing Zn diecast, pre-copper and nickel-plated  
 Ring screw CuZn, nickel-plated  
 Seal CR (flat), NBR (O-ring)

### Mechanical data

Insertion force/contact ≤ 3,0 N<sup>1</sup>  
 Withdrawal force/contact ≥ 1,2 N<sup>1</sup>  
 Tightening torque connector 1-3 Nm  
 Tightening torque nut 1-3 Nm  
 Protection class IP68<sup>2</sup>

<sup>1</sup> measured with a proper counterpart

<sup>2</sup> according to IEC DIN EN 60529, only in locked condition with an appropriate counterpart; IPX8 requirements under agreement between manufacturer and user

### Electrical data (at T<sub>amb</sub> 20 °C)

Rated current 5 A (T<sub>amb</sub> 40 °C)  
 Rated voltage 100 V (with pollution degree 1)  
 32 V (with pollution degree 2)  
 Rated impulse voltage 500 V  
 Material group II (IEC)/1 (UL) (400 ≤ CTI < 600)  
 Overvoltage category I  
 Insulation resistance > 100 MΩ  
 Further data see suitable crimp contact

### Associated products

#### Counterparts

☞ 0331	☞ 0332	☞ 0332-1
☞ 033200	☞ 0365	☞ 036500
☞ Weitere Produkte auf Anfrage	☞ Weitere Produkte auf Anfrage	

#### Accessories

☞ 0322 C 16	☞ 0364	☞ 0381
☞ 038199	☞ 0384	☞ 0385
☞ 038799		

#### Harnessing equipment

☞ ZMS 20

03

0363

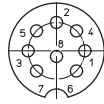
Pin configurations, crimp side view



**\*g**  
0363 05-3



0363 06-1



**08-a**  
0363 08-1

- \*a nut enclosed separately
- \*b O-ring gasket
- \*c mounting direction
- \*d flat gasket
- \*e port in mounting plate
- \*f anti-rotation, alternative execution
- \*g pin configuration according to AISG C485

03

0363

Designation	Pole Number	PU (Pieces)	MDQ (Pieces)
0363 05-3	5	50	100
0363 06-1	6	50	100
0363 08-1	8	50	100

**Packaging:**

in a cardboard box