

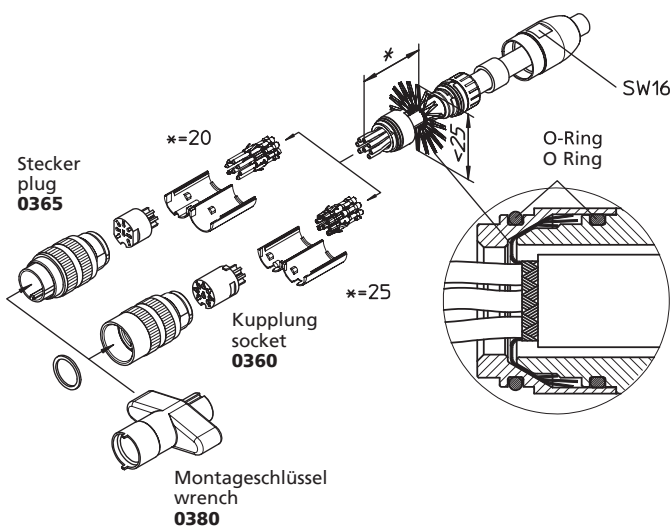
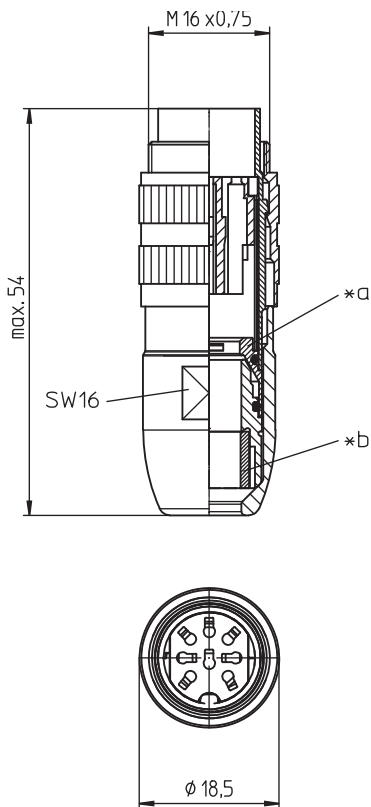
03 0365

Circular connectors with threaded joint M16 acc. to IEC 61076-2-106, IP40/IP68



Plug acc. to AISG specification and IEC 61076-2-106, IP68,
with threaded joint, empty housing for reception of crimp
contacts, shielded at 360°

03 0365



Environmental conditions

Temperature range -40 °C/+85 °C

Materials

Insulating body	PA GF, V-0 according to UL94
Insulating sleeve	PA, V-2 according to UL94
Clamp	PA, V-0 according to UL94
Housing/shielding	CuZn, nickel-plated/Zn diecast, pre-copper and nickel-plated
Knurled screw	CuZn, nickel-plated
Seal	EPDM/NBR

Mechanical data

Tightening torque connector	1–3 Nm
Tightening torque nut	1–3 Nm
Protection class	IP68 ¹

¹ according to IEC DIN EN 60529, only in locked condition with an appropriate counterpart; IPX8 requirements under agreement between manufacturer and user

Connectable conductors for crimp area

Cable diameter 4–8 mm

Electrical data (at T_{amb} 20 °C)

Rated current	5 A (T _{amb} 40 °C)
Rated voltage	100 V (pollution degree 1) 32 V (pollution degree 2)
Rated impulse voltage	500 V
Material group	II (IEC)/1 (UL) (400 ≤ CTI < 600)
Overvoltage category	I
Creepage distance	2,5 mm/2,0 mm
Clearance	2,5 mm/2,0 mm
Insulation resistance	> 100 MΩ
Further data	see suitable crimp contact

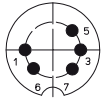
Associated products

Counterparts		
☞ 0304	☞ 0304-1	☞ 0304-2
☞ 0305	☞ 0305-1	☞ 0305-1 U
☞ 0305-2	☞ 0306	☞ 0306-1
☞ 0306-2	☞ 0307	☞ 0307-1
☞ 0307-2	☞ 030798-1	☞ 030798-2
☞ 030799-2	☞ 0308	☞ 0308-1

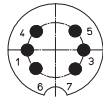
03

0365

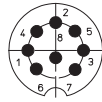
Pin configurations, crimp side view



*c
0365 05-3



0365 06-1



08-a
0365 08-1

*a shielding

*b gasket

*c pin configuration according to AISG C485

[0308-2](#)

[0322-1](#)

[036000](#)

[0363](#)

Accessories

[0369](#)

[038899](#)

[0321](#)

[032200](#)

[0362](#)

[Weitere Produkte auf Anfrage](#)

[0383](#)

[0322](#)

[0360](#)

[036297](#)

[Weitere Produkte auf Anfrage](#)

[038399](#)

03

0365

Designation	Pole Number	PU (Pieces)	MDQ (Pieces)
0365 05-3	5	50	100
0365 06-1	6	50	100
0365 08-1	8	50	100

Packaging:

individual parts in bulk, sorted in plastic bags, in a cardboard box