

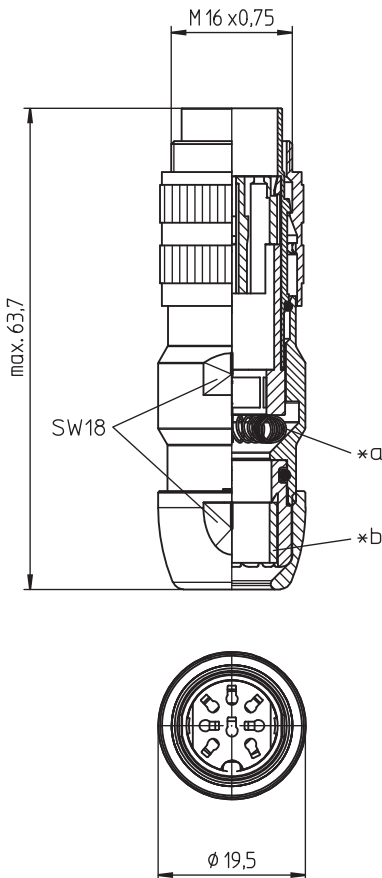
03 036500

Circular connectors with threaded joint M16 acc. to IEC 61076-2-106, IP40/IP68



Next Generation – plug acc. to AISG specification and IEC 61076-2-106, IP68, with threaded joint and vibration protection, empty housing for reception of crimp contacts, 360° shielded, optimized assembly

03 036500



Environmental conditions

Temperature range -40 °C/+85 °C

Materials

Insulating body	PA GF, V-0 according to UL94
Schirmfeder	stainless steel
Insulating sleeve	PA, V-0 according to UL94
Clamp	PA, V-0 according to UL94
Housing	CuZn, nickel-plated/Zn diecast, pre-copper and nickel-plated
Knurled screw	CuZn, nickel-plated
Seal	CR/EPDM

Mechanical data

Tightening torque connector	3 Nm
Tightening torque nut	3 Nm
Protection class	IP68 ¹

¹ according to IEC DIN EN 60529, only in locked condition with an appropriate counterpart; IPX8 requirements under agreement between manufacturer and user

Connectable conductors for crimp area

Cable diameter	4–8 mm 8–10 mm optionally
----------------	------------------------------

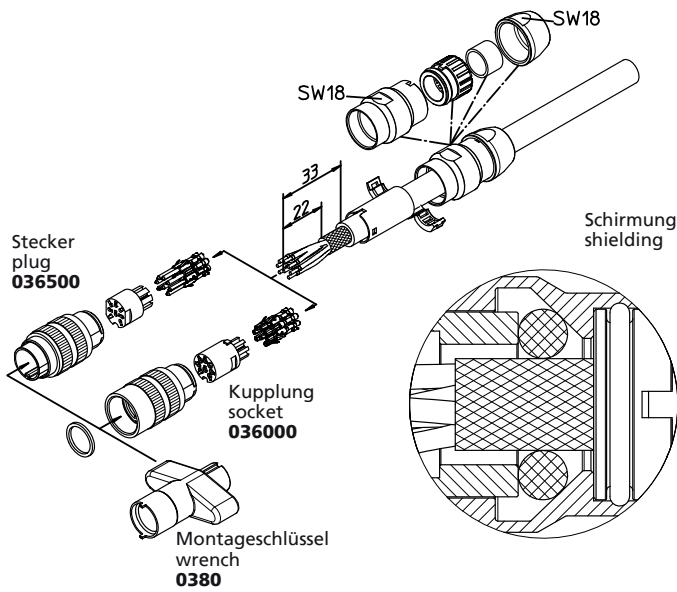
Electrical data (at T_{amb} 20 °C)

Rated current	5 A (T _{amb} 40 °C)
Rated voltage	100 V (pollution degree 1) 32 V (pollution degree 2)
Rated impulse voltage	500 V
Material group	II (IEC)/1 (UL) (400 ≤ CTI < 600)
Overtoltage category	I
Insulation resistance	> 100 MΩ
Further data	see suitable crimp contact

Associated products

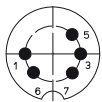
Counterparts		
☞ 0304	☞ 0304-1	☞ 0304-2
☞ 0305	☞ 0305-1	☞ 0305-1 U
☞ 0305-2	☞ 0306	☞ 0306-1
☞ 0306-2	☞ 0307	☞ 0307-1
☞ 0307-2	☞ 030798-1	☞ 030798-2
☞ 030799-2	☞ 0308	☞ 0308-1

03 036500



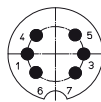
- | | | |
|---|---------------------------------|---|
| <input type="checkbox"/> 0308-2 | <input type="checkbox"/> 0321 | <input type="checkbox"/> 0322 |
| <input type="checkbox"/> 0322-1 | <input type="checkbox"/> 032200 | <input type="checkbox"/> 0360 |
| <input type="checkbox"/> 036000 | <input type="checkbox"/> 0362 | <input type="checkbox"/> 036297 |
| <input type="checkbox"/> 0363 | <input type="checkbox"/> 0364 | <input type="checkbox"/> Weitere Produkte auf Anfrage |
| <input type="checkbox"/> Weitere Produkte auf Anfrage | | |
| Accessories | | |
| <input type="checkbox"/> 0369 | <input type="checkbox"/> 0383 | <input type="checkbox"/> 038399 |
| <input type="checkbox"/> 038899 | | |

Pin configurations, crimp side view

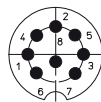


*c

036500 05-3



036500 06-1



08-a

036500 08-1

- *a shielding connection
- *b hose gasket
- *c pin configuration according to AISG C485

03

036500

Designation	Pole Number	PU (Pieces)	MDQ (Pieces)
036500 05-3	5	50	100
036500 06-1	6	50	100
036500 08-1	8	50	100

Packaging:

sets of individual parts, partly pre-assembled, in plastic bags, in a cardboard box