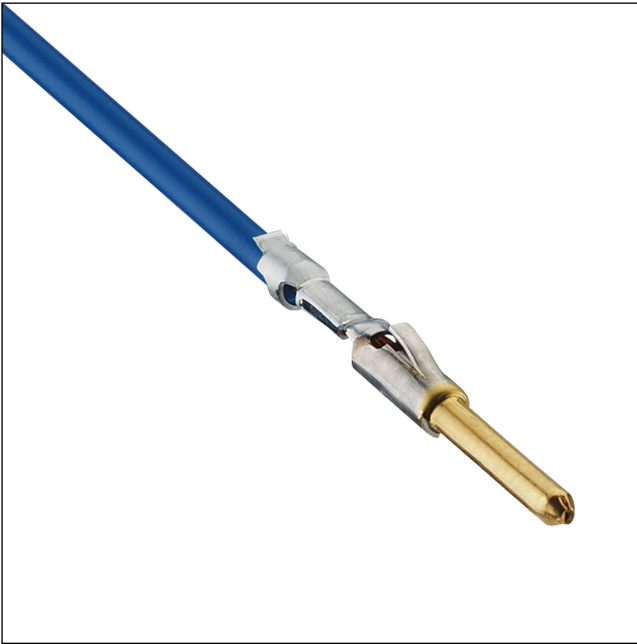


03

0369

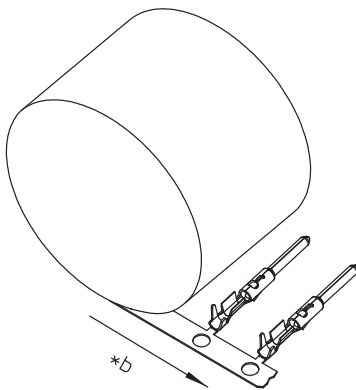
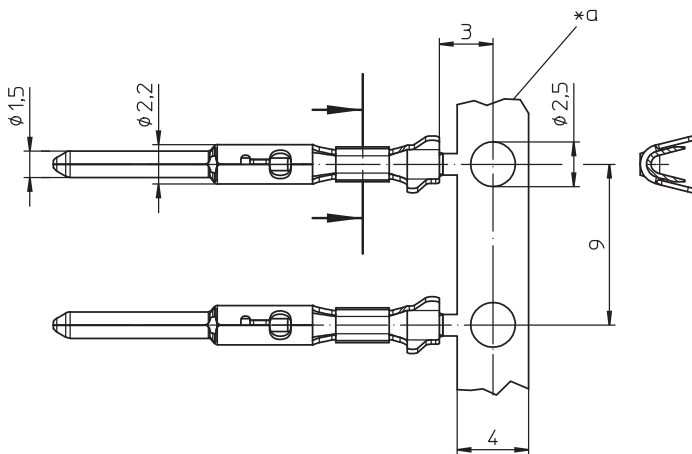
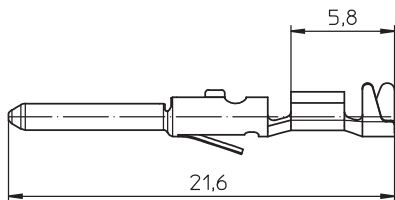
Circular connectors with threaded joint M16 acc. to IEC 61076-2-106, IP40/IP68



Crimp contact, contact pin gold-plated

03

0369



*a supporting strip
*b unreeled direction

Environmental conditions

Temperature range -40 °C/+85 °C

Materials

Contact pin CuSn, gold-plated – 0369 V109

Connectable conductors for crimp area

Section 0,25–0,75 mm² (AWG 23–18)
Insulation diameter ≤ 1,8 mm

Electrical data (at T_{amb} 20 °C)

Rated current 5 A (T_{amb} 40 °C)
Rated voltage 250/320 V AC
Further data see suitable connector housing

Associated products

Accessories

☞ 0365	☞ 036500	☞ SFV ... C
☞ SGV ... C	☞ SV ... C	☞ SV ...-8 C
☞ WSV ... C		

Harnessing equipment

☞ CAW03	☞ CZB03-0369	☞ CZK03
☞ VARICON 7000-DC-CR	☞ VARICON 7000-Eco-CR	☞ VARICON 7000-Inline-CR
☞ VARICON 7000-RD-CR		

03

0369

Designation	Pole Number	PU (Pieces)	MDQ (Pieces)
0369 V109	1	10000	10000
0369 V109VP18	1	350	1750

Packaging:
on reel