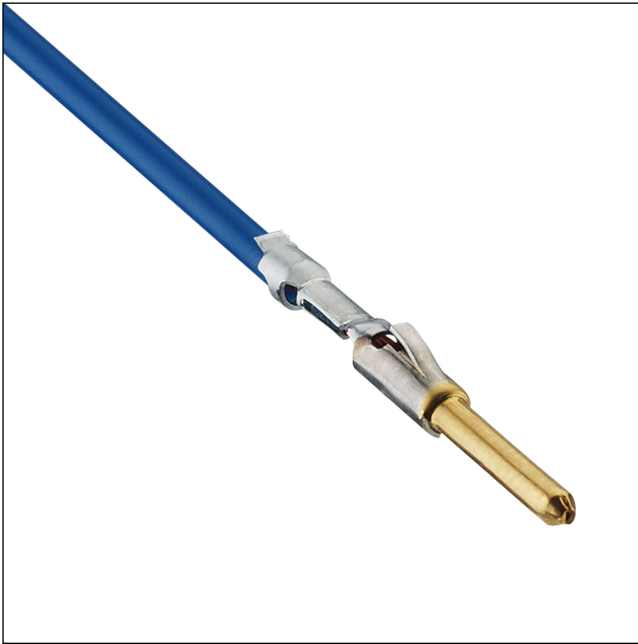


03 0369 V109

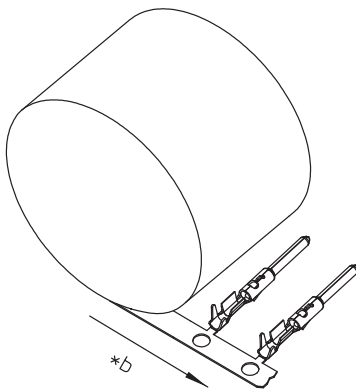
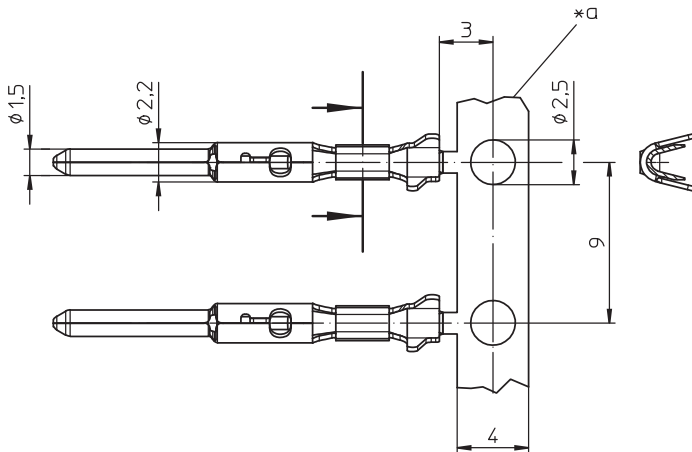
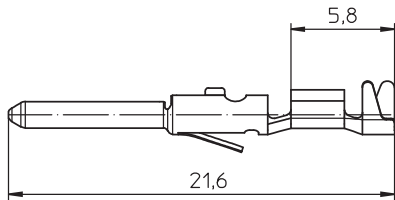
Circular connectors with threaded joint M16 acc. to IEC 61076-2-106, IP40/IP68



Crimp contact, contact pin gold-plated

03

0369 V109



*a supporting strip
*b unreeling direction

Environmental conditions

Temperature range -40 °C/+85 °C

Materials

Contact pin CuSn, gold-plated

Mechanical data

Mating cycles ≥ 1000

Connectable conductors for crimp area

Section 0,25–0,75 mm² (AWG 23–18)
Insulation diameter $\leq 1,8$ mm

Electrical data (at T_{amb} 20 °C)

Rated current 5 A (T_{amb} 40 °C)
Rated voltage 250/320 V AC
Further data see suitable connector housing

Associated products

Accessories
☞ 0365 ☞ 036500

Harnessing equipment
☞ CAW03 ☞ CZB03-0369 ☞ CZK03
☞ VARICON 7000-DC-CR ☞ VARICON 7000-Eco-CR ☞ VARICON 7000-Inline-CR
☞ VARICON 7000-RD-CR

03

0369 V109

Designation	Pole Number	PU (Pieces)	MDQ (Pieces)
0369 V109	1	10000	10000
0369 V109VP18	1	350	1750

Packaging:
on reel