

15

1501 07

## Jack connectors



Jack chassis socket acc. to JIS C 6560 JC25J3B, 2.5 mm, 3 poles/stereo, angular version, with 2 break contacts, for printed circuit boards, surface mounting technology (SMT)

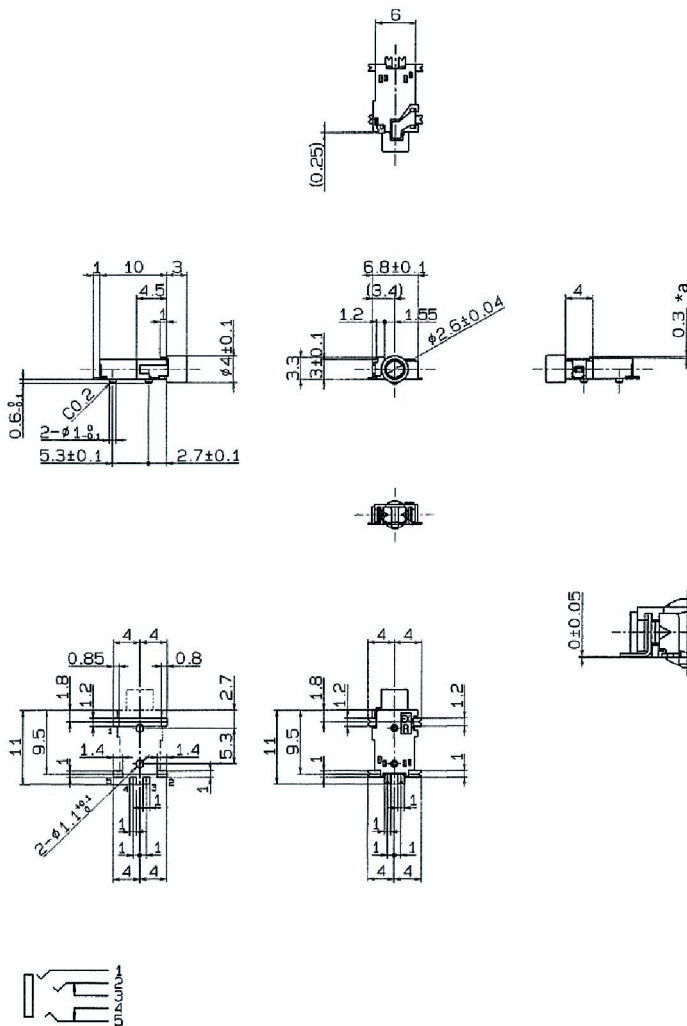
---

State: Active

---

15

1501 07



**Environmental conditions**

Temperature range -20 °C/+60 °C

**Materials**

Insulating body PA  
Contact spring BeCu alloy, silver-plated

**Mechanical data**

Mating cycles ≥ 5000

**Electrical data (at T<sub>amb</sub> 20 °C)**

Contact resistance ≤ 30 mΩ  
Rated current 0,5 A  
Rated voltage 34 V AC/DC  
Rated impulse voltage 250 V/60 s  
Insulation resistance ≥ 100 MΩ

**Associated products**

Counterparts  
☑ KLS 13

\*a with mated plug

15

1501 07

Designation	Pole Number	PU (Pieces)	MDQ (Pieces)
1501 07 R	3	1500	1500

**Packaging:**

on reel