

15

1501 14

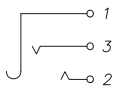
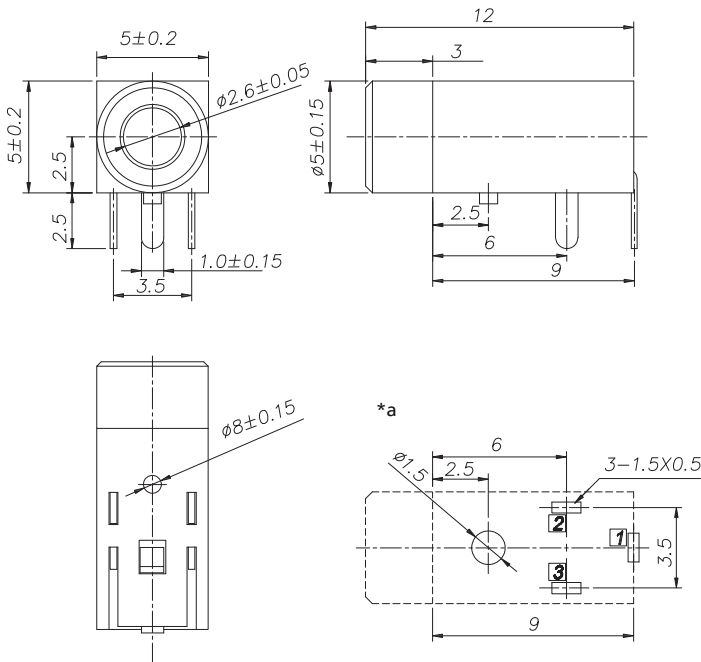
## Jack connectors



Jack chassis socket acc. to JIS C 6560 JC25J3A, 2.5 mm, 3 poles/stereo, angular version, for printed circuit boards, with plastic collar

15

1501 14



\*a printed circuit board layout, solder side view

#### Environmental conditions

Temperature range -20 °C/+70 °C

#### Materials

Insulating body PA, HB according to UL94  
Contact spring CuSn, tin/silver-plated

#### Mechanical data


Mating cycles  $\geq 5000$   
Insertion force  $\leq 30$  N  
Withdrawal force  $\geq 3$  N

#### Electrical data (at $T_{amb}$ 20 °C)

Contact resistance  $\leq 30$  m $\Omega$ <sup>1</sup>  
Rated current 0,5 A  
Rated voltage 30 V DC  
Rated impulse voltage 500 V/60 s  
Insulation resistance  $\geq 50$  M $\Omega$

<sup>1</sup> initial value

#### Associated products

Counterparts  
 KLS 13

15

1501 14

Designation	Pole Number	PU (Pieces)	MDQ (Pieces)
1501 14	3	500	500

**Packaging:**

in bulk, in a cardboard box or a plastic bag