

15

1502 05

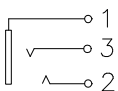
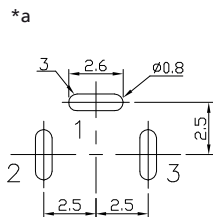
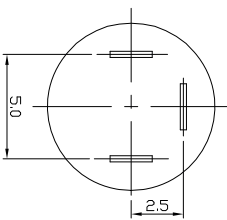
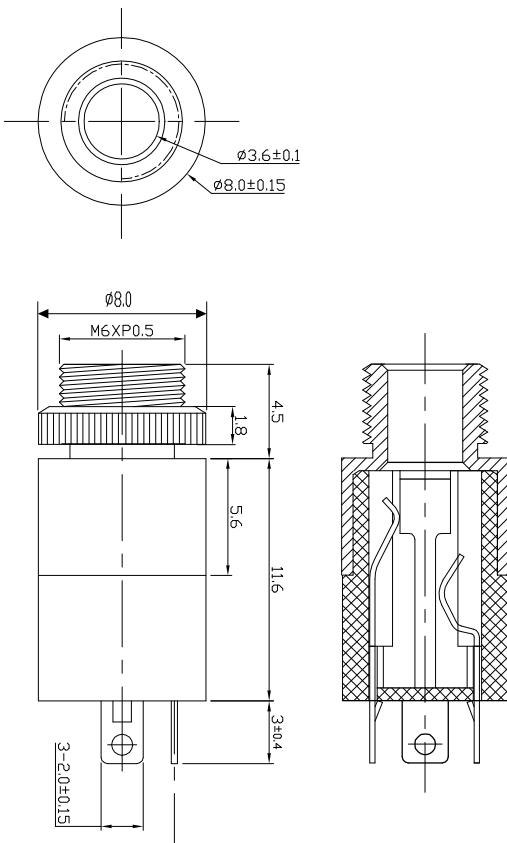
Jack connectors



Jack chassis socket acc. to JIS C 6560 JC25J3A, 2.5 mm, 3 poles/stereo, with solder eyes, upright version, for printed circuit boards, for back side mounting

15

1502 05



*a printed circuit board layout, components side view

Environmental conditions

Temperature range -25 °C/+70 °C

Materials

Insulating body PBT GF, V-0 according to UL94
 Contact spring Cu alloy, silver-plated
 Housing CuZn, nickel-plated
 Knurled nut CuZn, nickel-plated

Mechanical data

Mating cycles 5000
 Insertion force 3–30 N
 Withdrawal force 3–30 N

Electrical data (at T_{amb} 20 °C)

Contact resistance ≤ 30 mΩ
 Rated current 1 A
 Rated voltage 12 V
 Rated impulse voltage 500 V/60 s
 Insulation resistance ≥ 100 MΩ

Associated products

Counterparts
 ☞ KLS 13

Accessories
 ☞ 1597 02 ☞ 1597 04

15

1502 05

Designation	Pole Number	PU (Pieces)	MDQ (Pieces)
1502 05	3	100	500

Packaging:

in bulk, in a cardboard box or a plastic bag