

15

1502 08

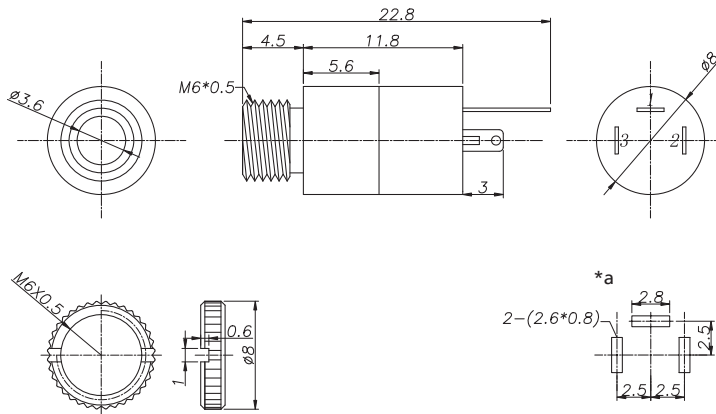
## Jack connectors



Jack chassis socket acc. to JIS C 6560 JC35J3A, 3.5 mm, 3 poles/stereo, with solder eyes, for printed circuit boards, for back side mounting

15

1502 08



#### Environmental conditions

Temperature range -20 °C/+70 °C

#### Materials

Insulating body PBT, V-0 according to UL94  
 Contact CuSn/CuZn, silver-plated/tin-plated  
 Housing CuZn, nickel-plated  
 Knurled nut CuZn, nickel-plated

#### Mechanical data

Mating cycles 5000  
 Insertion force 3–30 N  
 Withdrawal force 3–30 N  
 Tightening torque nut  $\leq 0.19$  Nm



\*a printed circuit board layout

#### Electrical data (at $T_{amb}$ 20 °C)

Contact resistance  $\leq 30$  m $\Omega$   
 Rated current 1 A  
 Rated voltage 34 V  
 Rated impulse voltage 500 V/60 s  
 Insulation resistance  $\geq 100$  M $\Omega$

#### Associated products

Counterparts  
 ☞ 1532 07 ☞ KLS 40 ☞ KLS 44  
 ☞ WKLS 40

15

1502 08

Designation	Pole Number	PU (Pieces)	MDQ (Pieces)
1502 08	3	100	500

**Packaging:**

in bulk, in a cardboard box or a plastic bag