

15

1503 08

Jack connectors

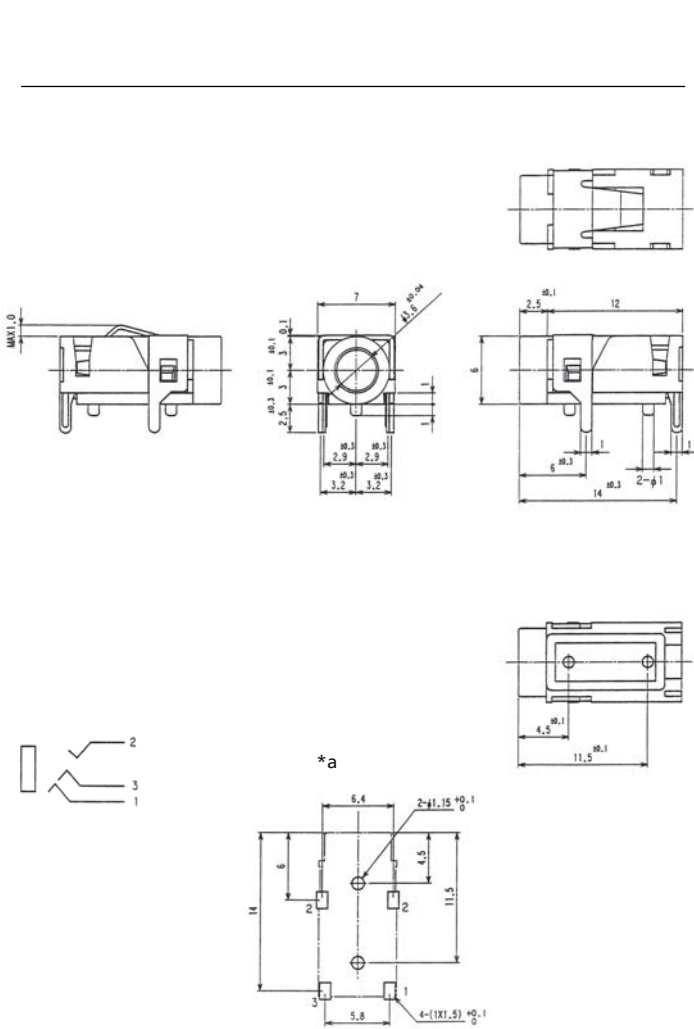


Jack chassis socket acc. to JIS C 6560 JC35J3A, 3.5 mm, 3 poles/stereo, angular version, for printed circuit boards

State: Obsolete

15

1503 08



Environmental conditions

Temperature range -20 °C/+70 °C

Materials

Insulating body PBT GF, V-0 according to UL94
 Contact spring Cu alloy, tin-plated

Mechanical data

Mating cycles ≥ 5000
 Insertion force 5–20 N
 Withdrawal force 4–20 N

Electrical data (at T_{amb} 20 °C)

Contact resistance $\leq 50 \text{ m}\Omega$
 Rated current 1 A
 Rated voltage 34 V AC/DC
 Rated impulse voltage 500 V/60 s
 Insulation resistance $\geq 100 \text{ M}\Omega$

Associated products

- Counterparts
 ☞ 1532 07 ☞ KLS 40 ☞ KLS 44
 ☞ WKLS 40

*a printed circuit board layout, solder side view

15

1503 08

Designation	Pole Number	PU (Pieces)	MDQ (Pieces)
1503 08	3	500	1000

Packaging:

in bulk, in a cardboard box or a plastic bag