

15

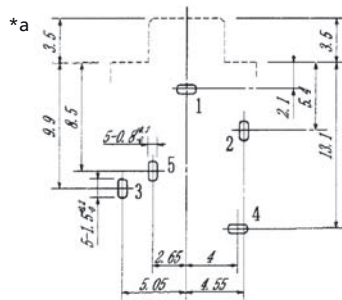
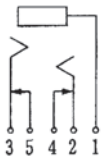
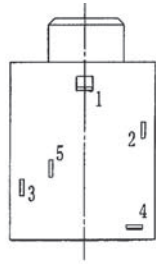
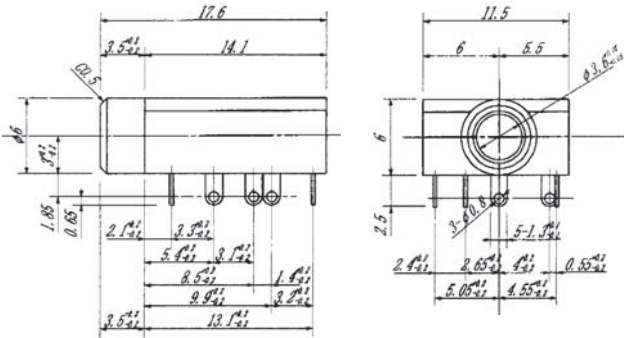
1503 09

Jack connectors



Jack chassis socket acc. to JIS C 6560 JC35J3B, 3.5 mm, 3 poles/stereo, angular version, with 2 break contacts and solder eyes, for printed circuit boards, for back side mounting

State: Active



*a printed circuit board layout, solder side view

Environmental conditions

Temperature range -10 °C/+70 °C

Materials

Insulating body	PBT GF, V-0 according to UL94
Contact spring	Cu alloy, silver-plated
Cover	PC, HB
Knurled nut	CuZn, nickel-plated

Mechanical data

Mating cycles	≥ 5000
Insertion force	3–20 N ¹
Withdrawal force	3–20 N ¹

¹ measured with a gauge plug

Electrical data (at T_{amb} 20 °C)

Contact resistance	≤ 30 mΩ
Rated current	1 A
Rated voltage	34 V AC/DC
Rated impulse voltage	250 V/60 s
Insulation resistance	≥ 100 MΩ

Associated products

Counterparts			
☞ 1532 07	☞ KLS 40	☞ KLS 44	
☞ WKLS 40			
Accessories			
☞ 1597 02	☞ 1597 04		

15

1503 09

Designation	Pole Number	PU (Pieces)	MDQ (Pieces)
1503 09	3	500	500

Packaging:

in bulk, in a cardboard box or a plastic bag