

15

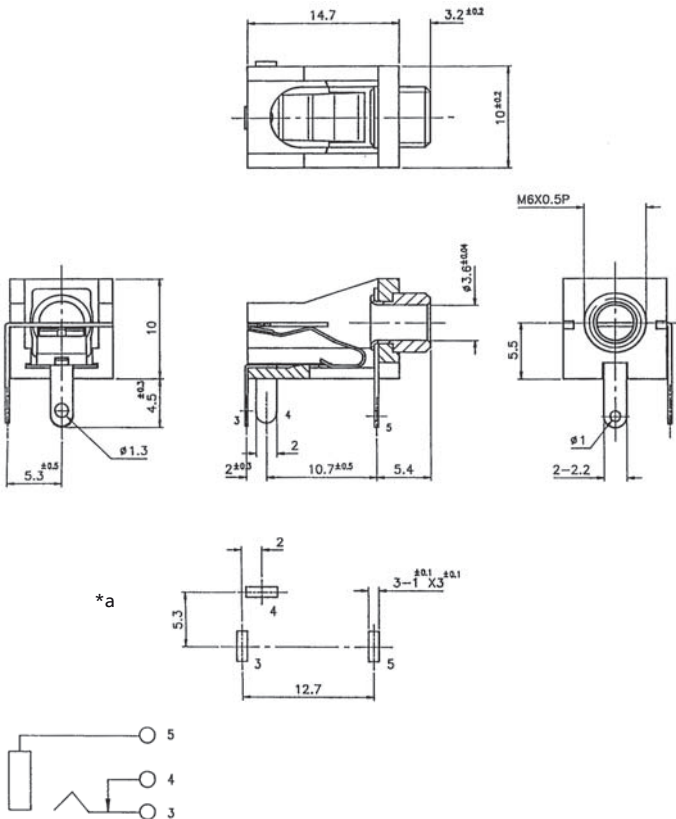
1503 12

Jack connectors



Jack chassis socket acc. to JIS C 6560 JC35J2B, 3.5 mm, 2 poles/mono, angular version, with break contact, for printed circuit boards, for back side mounting

State: Obsolete



*a printed circuit board layout, components side view

Environmental conditions

Temperature range -20 °C/+70 °C

Materials

Insulating body POM, HB according to UL94
 Contact bush CuZn, nickel-plated
 Lötkontakt Cu alloy, silver-plated
 Cover
 Knurled nut nickel-plated

Mechanical data

Mating cycles ≥ 5000
 Insertion force 5–20 N
 Withdrawal force 4–20 N

Electrical data (at T_{amb} 20 °C)

Contact resistance ≤ 30 m Ω
 Rated current 1 A
 Rated voltage 34 V AC/DC
 Rated impulse voltage 500 V/60 s
 Insulation resistance ≥ 100 M Ω

Associated products

Counterparts
 ☞ 1532 04 ☞ 1532 06 ☞ KLS 2
 ☞ KLS 22 ☞ WKLS 2

Accessories
 ☞ 1597 02 ☞ 1597 04

15

1503 12

Designation	Pole Number	PU (Pieces)	MDQ (Pieces)
1503 12	2	100	500

Packaging:

in bulk, in a cardboard box or a plastic bag