

15

1503 16

## Jack connectors

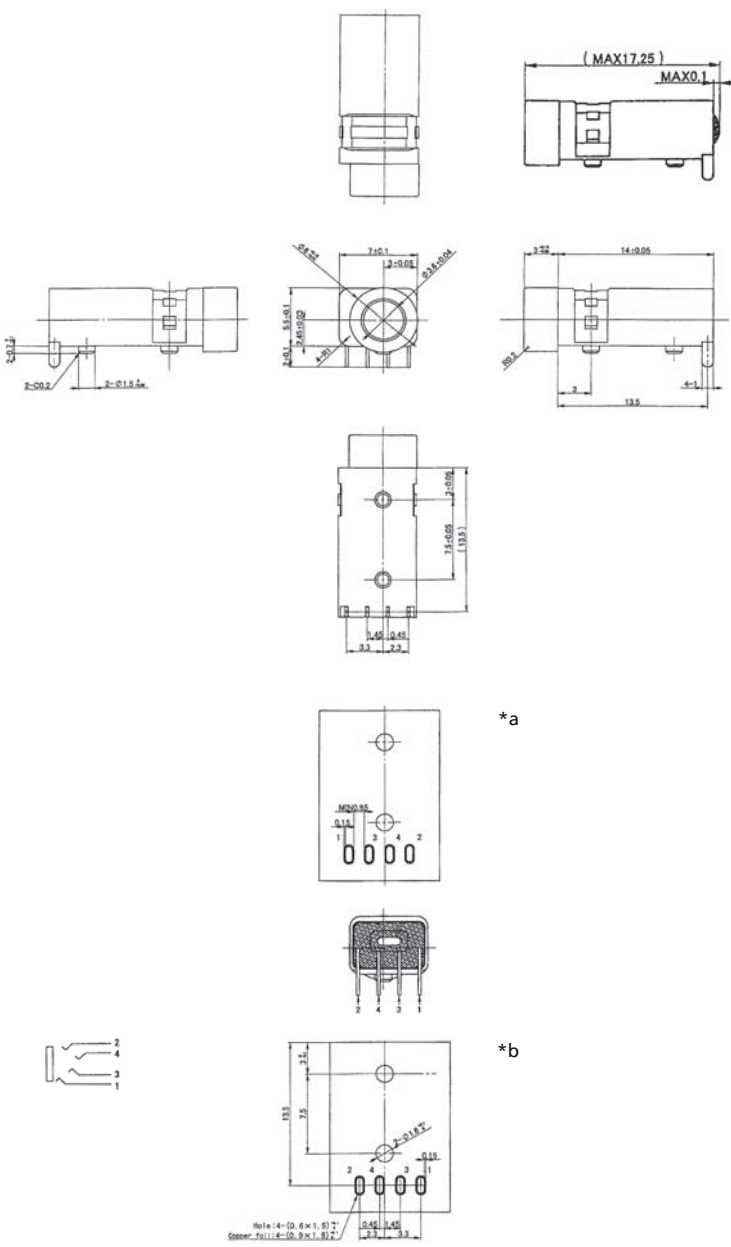


Jack chassis socket according to JEITA RC-5325A JC35J4A,  
3.5 mm, 4 poles/stereo, potted IPx7, angular version, for  
printed circuit boards

---

State: Active

---



**Environmental conditions**

Temperature range -20 °C/+70 °C

**Materials**

Insulating body PA  
 Contact spring Cu alloy, gold-plated  
 Potting EP

**Mechanical data**

Mating cycles 5000  
 Insertion force 5–30 N<sup>1</sup>  
 Withdrawal force 5–30 N<sup>1</sup>  
 Protection class IPx7

<sup>1</sup> measured with a gauge plug

**Electrical data (at T<sub>amb</sub> 20 °C)**

Contact resistance ≤ 30 mΩ  
 Rated current 0,5 A  
 Rated voltage 34 V AC/DC  
 Rated impulse voltage 500 V/60 s  
 Insulation resistance ≥ 100 MΩ

**Associated products**

Counterparts  
 ☞ 1532 02

\*a printed circuit board layout, solder side view  
 \*b printed circuit board layout, components side view

15

1503 16

Designation	Pole Number	PU (Pieces)	MDQ (Pieces)
1503 16	4	250	500

**Packaging:**

in bulk, in a cardboard box