

15

1503 26

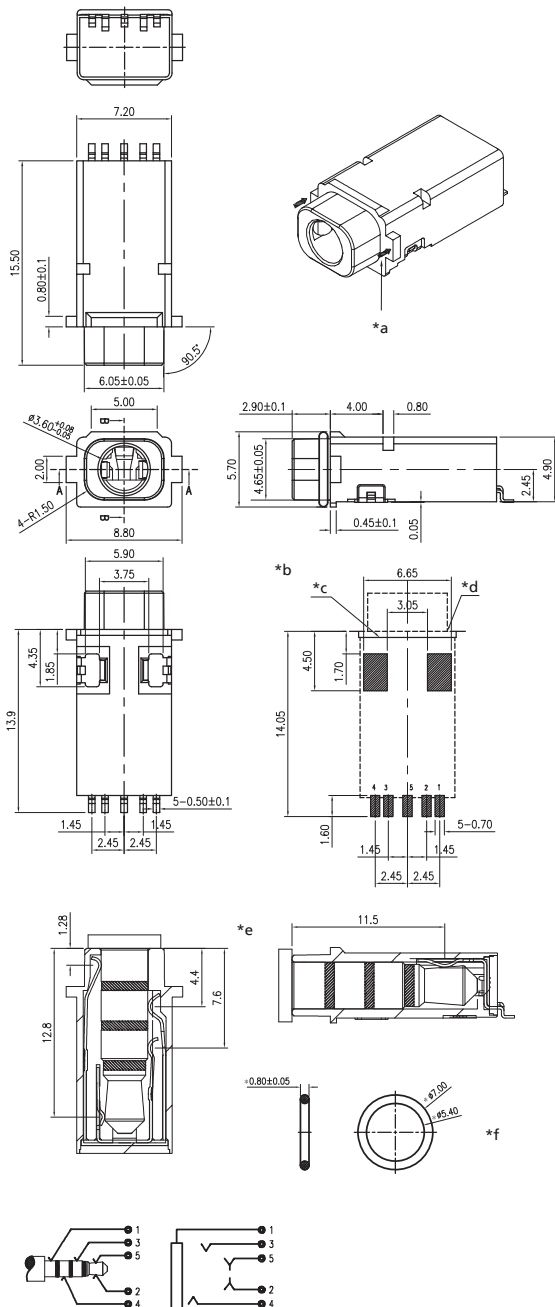
Jack connectors



Jack chassis socket according to JEITA RC-5325A JC35J4A, 3.5 mm, 4 poles/stereo, potted and with sealing towards mounting plate, IPx7, angular version, for printed circuit boards, surface mount technology (SMT)

15

1503 26



Environmental conditions

Temperature range -25 °C/+70 °C

Materials

Insulation body/housing	PA, V-0 according to UL94
Contact spring	Cu alloy, pre-nickel and gold-plated
Potting	EP
O-ring gasket	Silicone


Mechanical data

Mating cycles	≥ 5000
Insertion force	4–20 N
Withdrawal force	4–20 N
Protection class	IPx7

Electrical data (at T_{amb} 20 °C)

Contact resistance	≤ 30 mΩ
Rated current	1 A
Rated voltage	12 V DC
Rated impulse voltage	500 V/60 s
Insulation resistance	≥ 100 MΩ

Associated products

Counterparts
 1532 02

-
- *a strain of the housing max. 50 N
 - *b printed circuit board layout, components side view
 - *c printed circuit board edge
 - *d connector edge
 - *e contact points with mated counterpart
 - *f O-ring is packed separately

15

1503 26

Designation	Pole Number	PU (Pieces)	MDQ (Pieces)
1503 26	4	800	800

Packaging:

on reel