

15

1532 04

Jack connectors

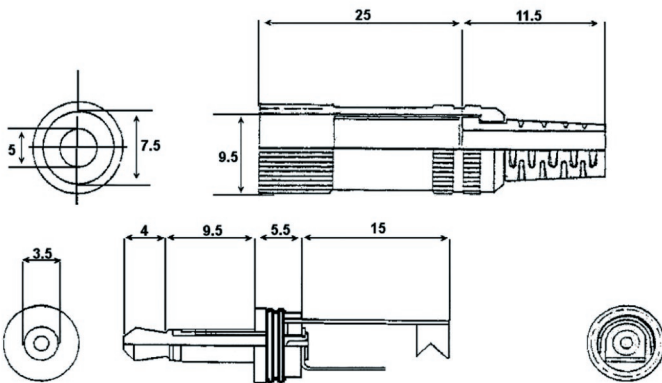


Jack plug acc. to JIS C 6560 JC35P2, 3.5 mm, 2 poles/mono, straight version, with metal housing, bend protection and solder terminals

State: Active

15

1532 04



Environmental conditions

Temperature range -20 °C/+70 °C

Materials

Insulating body	PF/ABS
Contact	CuZn/steel, nickel-plated
Insulation	PVC/ebonite/ABS
Housing	CuZn, nickel-plated
Screw	PVC

Connectable conductors for solder area

Cable diameter 4 mm

Electrical data (at T_{amb} 20 °C)

Rated current	1 A
Rated voltage	34 V AC/DC
Rated impulse voltage	500 V/60 s
Insulation resistance	≥ 100 MΩ

Associated products

Counterparts		
☞ 1502 03	☞ 1503 06	☞ 1503 12
☞ 1522 02	☞ 1522 03	☞ KLK 22

15

1532 04

Designation	Pole Number	PU (Pieces)	MDQ (Pieces)
1532 04	2	100	400

Packaging:

in bulk, in a cardboard box or a plastic bag