

15

1532 10

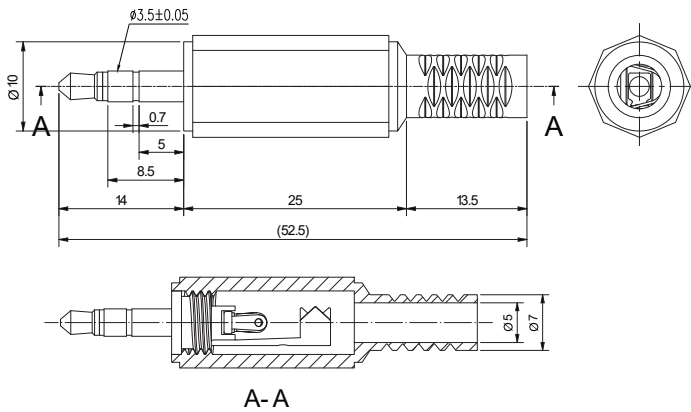
Jack connectors



Jack plug acc. to JIS C 6560 JC35P3, 3.5 mm, 3 poles/
stereo, straight version, with bend protection and solder
terminal

15

1532 10



Environmental conditions

Temperature range -20 °C/+85 °C

Materials

Insulating body	POM
Contact	CuZn, nickel-plated
Insulation	POM
Housing	PVC

Mechanical data

Mating cycles	5000
Insertion force	0.29–2.94 N
Withdrawal force	0.29–2.94 N

Connectable conductors for solder area

Cable diameter 5 mm

Electrical data (at T_{amb} 20 °C)

Rated current	3 A
Rated voltage	34 V
Insulation resistance	≥ 100 MΩ

Associated products

Counterparts

☞ 1502 01	☞ 1502 06	☞ 1502 07
☞ 1502 08	☞ 1503 02	☞ 1503 03
☞ 1503 08	☞ 1503 09	☞ 1503 17
☞ 1503 18	☞ 1503 27	☞ 1503 29
☞ 1503 30	☞ 1520 01	☞ 1520 02
☞ 4510	☞ 4511	☞ KLB 4
☞ KLBR 4		

15

1532 10

Designation	Pole Number	PU (Pieces)	MDQ (Pieces)
1532 10	3	100	500

Packaging:

in bulk, in a cardboard box or a plastic bag