

15

1571 01

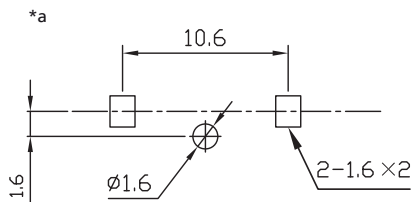
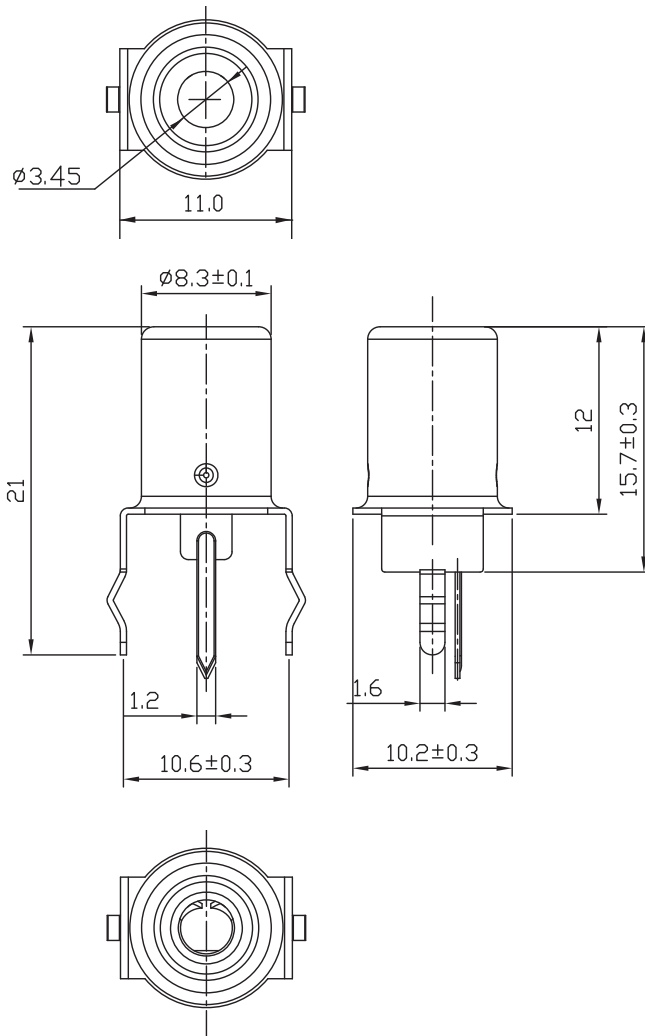
RCA connectors



RCA chassis socket acc. to JEITA RC-5231, upright version,
for printed circuit boards

15

1571 01



*a printed circuit board layout, solder side view

Environmental conditions

Temperature range -20 °C/+60 °C

Materials

Insulating body PBT, V-0 according to UL94
 Inner contact CuZn
 Outer contact CuZn

Mechanical data

Mating cycles ≥ 1000
 Insertion force 2.9–29.4 N
 Withdrawal force 2.9–29.4 N

Electrical data (at T_{amb} 20 °C)

Contact resistance 30 m Ω
 Rated current 0.5 A
 Rated voltage 12 V
 Insulation resistance 100 M Ω

Associated products

Counterparts
 ☞ 1570 01 ☞ 1573 01 V ☞ STO 1
 ☞ STO 2 ☞ XSTO 1

15

1571 01

| Designation | Pole Number | PU (Pieces) | MDQ (Pieces) |
|-------------|-------------|-------------|--------------|
| 1571 01 | 2 | 500 | 500 |

Packaging:

in a cardboard box