

15

1573 01 V

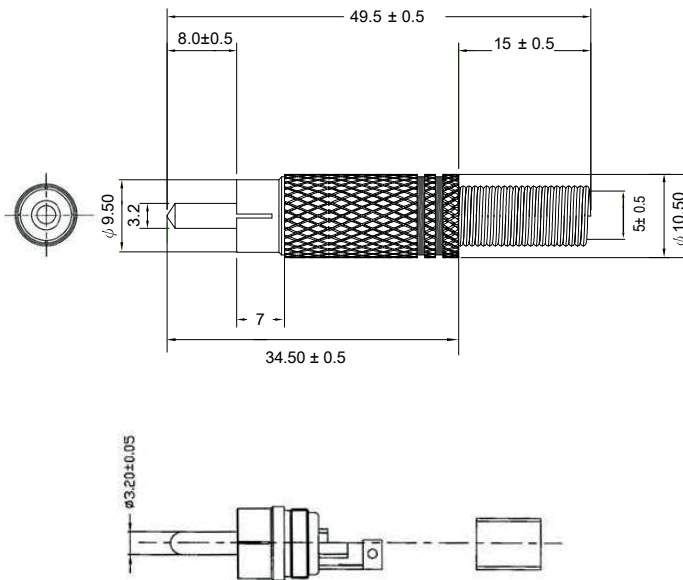
RCA connectors



RCA plug, straight version, with metal housing, bend protection and solder terminals

15

1573 01 V



Environmental conditions

Temperature range -40 °C/+85 °C

Materials

Insulating body	ABS, HB according to UL94
Inner contact	CuZn, pre-nickel and gold-plated
Insulation	ABS
Housing	CuZn, gold-plated
Bend protection sleeve	Fe, gold-plated
Color ring	PVC

Mechanical data

Mating cycles 5000

Connectable conductors for solder area

Cable diameter 5 mm

Electrical data (at T_{amb} 20 °C)

Rated current	≤ 5 A
Rated voltage	≤ 24 V DC
Rated impulse voltage	500 V AC/60 s
Insulation resistance	≥ 100 MΩ

Associated products

Counterparts			
☞ 1553 02	☞ 1571 01	☞ 4514	
☞ BTO 1	☞ BTO 1 V	☞ XKTO 1	

15

1573 01 V

Designation	Pole Number	PU (Pieces)	MDQ (Pieces)
1573 01 V ROT (red)	2	100	200
1573 01 V SCHWARZ (black)	2	100	200

Packaging:

in bulk, in a cardboard box or a plastic bag