

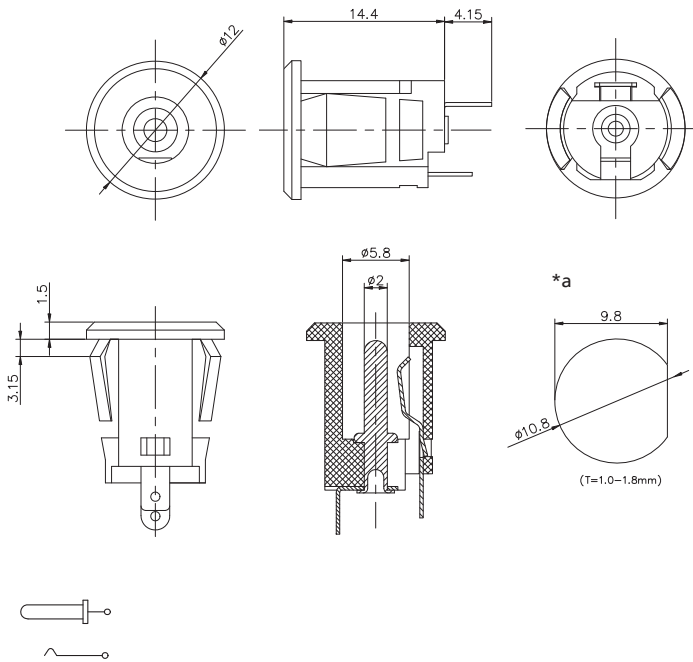
16

1610 06

## Power supply connectors



Power supply chassis socket, straight version, with solder eyes, for snap-in front side mounting



\*a port in mounting plate

#### Environmental conditions

Temperature range -25 °C/+85 °C

#### Materials

Insulating body PA, V-0 according to UL94  
Contact spring CuZn, tin-plated  
Contact pin CuZn/CuSn, tin-plated

#### Mechanical data

Diameter opening 5.8 mm  
Diameter center pin 2.0 mm  
Mating cycles 5000<sup>1</sup>  
Insertion force 4-30 N  
Withdrawal force 4-30 N

<sup>1</sup> measured with a gauge plug

#### Electrical data (at T<sub>amb</sub> 20 °C)

Contact resistance ≤ 30 mΩ  
Rated current 2 A  
Rated voltage 30 V  
Rated impulse voltage 500 V/60 s  
Insulation resistance ≥ 100 MΩ

#### Associated products

Counterparts  
 ↗ 1633 02      ↗ 1633 03      ↗ NES/J 21  
 ↗ NES/J 21 W      ↗ NES/J 210      ↗ XNES/J 210

16

1610 06

Designation	Pole Number	PU (Pieces)	MDQ (Pieces)
1610 06	2	300	900

**Packaging:**

in bulk, in a cardboard box or a plastic bag