

16

1613 04

## Power supply connectors



Power supply chassis socket acc. to JEITA RC-5320A  
JSAJ21, angular version, with break contact, for printed  
circuit boards

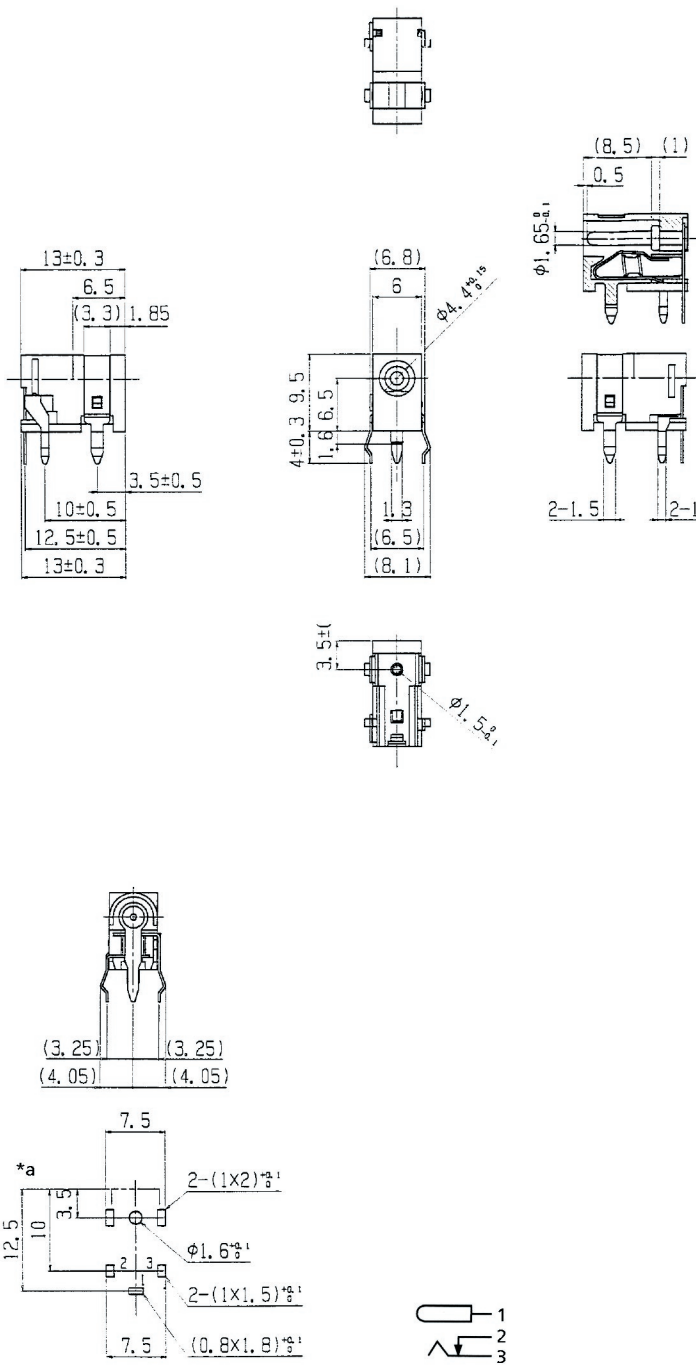
---

State: Obsolete

---

16

1613 04



**Environmental conditions**

Temperature range -20 °C/+70 °C

**Materials**

Insulating body PBT, HB according to UL94  
 Contact Cu alloy, tin-plated/silver-plated  
 Frame spring CuZn, tin-plated

**Mechanical data**

Diameter opening 4.4 mm  
 Diameter center pin 1.65 mm  
 Mating cycles ≥ 5000  
 Insertion force 5–20 N  
 Withdrawal force 4–15 N

**Electrical data (at T<sub>amb</sub> 20 °C)**

Contact resistance ≤ 30 mΩ  
 Rated current 2 A  
 Rated voltage 63 V DC  
 Rated impulse voltage 500 V/60 s  
 Insulation resistance ≥ 100 MΩ

**Associated products**

Counterparts  
 ☑ 1636 02

\*a printed circuit board layout, solder side view

16

1613 04

Designation	Pole Number	PU (Pieces)	MDQ (Pieces)
1613 04	2	250	500

**Packaging:**

in bulk, in a cardboard box or a plastic bag