

16

1613 15

Power supply connectors

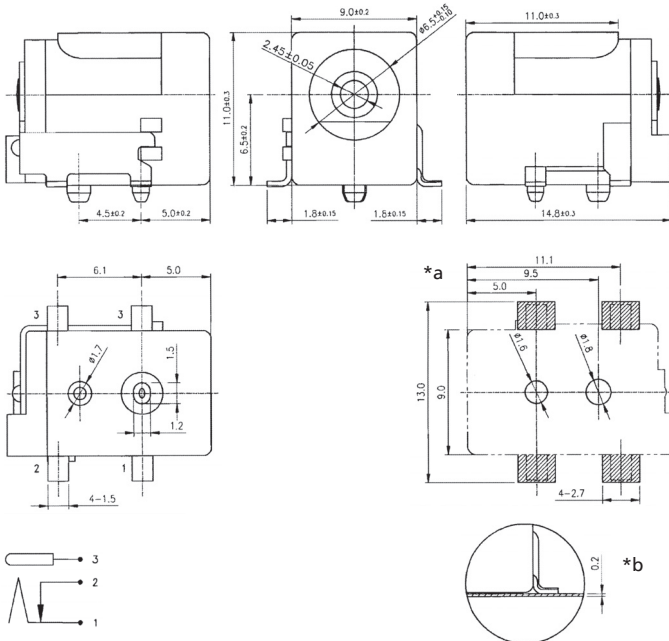


Power supply chassis socket, angular version, with break contact, for printed circuit boards, surface mounting technology (SMT)

State: Obsolete

16

1613 15



- *a printed circuit board layout, components side view
- *b coplanarity

Environmental conditions

Temperature range -25 °C/+85 °C

Materials

Insulating body PA, V-0 according to UL94
Contact CuZn/CuSn

Mechanical data

Diameter opening 6.5 mm
Diameter center pin 2.45 mm
Mating cycles ≥ 5000
Insertion force 3–20 N
Withdrawal force 3–20 N

Electrical data (at T_{amb} 20 °C)

Contact resistance ≤ 30 m Ω
Rated current 3.5 A
Rated voltage 24 V DC
Rated impulse voltage 500 V/60 s
Insulation resistance ≥ 100 M Ω

Associated products

16

1613 15

Designation	Pole Number	PU (Pieces)	MDQ (Pieces)
1613 15 VP3	2	350	350

Packaging:

in bulk, in a cardboard box or a plastic bag (1613 15)
on reel (1613 15 VP3)