

16

1613 19

## Power supply connectors

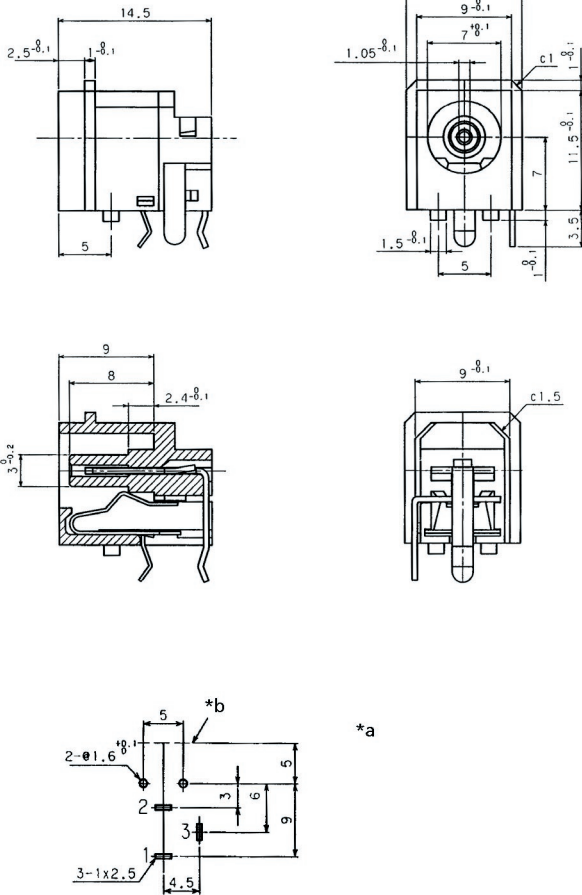


Power supply chassis socket,  
for plugs 6.5 mm x 4.1 mm x 1.0 mm, acc. to JEITA EIAJ  
RC-5322 JCBJ11, angular version, with break contact, for  
printed circuit boards

---

State: Obsolete

---



\*a printed circuit board layout, solder side view  
\*b socket front

**Environmental conditions**

Temperature range -20 °C/+70 °C

**Materials**

Insulating body PBT GF, V-0 according to UL94  
Contact CuZn, silver-plated

**Mechanical data**

Diameter opening 7.0 mm  
Diameter insulation 3.0 mm  
Diameter central hole 1.05 mm  
Mating cycles ≥ 5000  
Insertion force 5–20 N  
Withdrawal force 4–15 N

**Electrical data (at T<sub>amb</sub> 20 °C)**

Contact resistance ≤ 30 mΩ  
Rated current 2 A  
Rated voltage 24 V DC  
Rated impulse voltage 500 V/60 s  
Insulation resistance ≥ 100 MΩ

**Associated products**

Counterparts  
☑ 1636 06

16

1613 19

Designation	Pole Number	PU (Pieces)	MDQ (Pieces)
1613 19	2	250	500

**Packaging:**

in bulk, in a cardboard box or a plastic bag