

16

1613 23

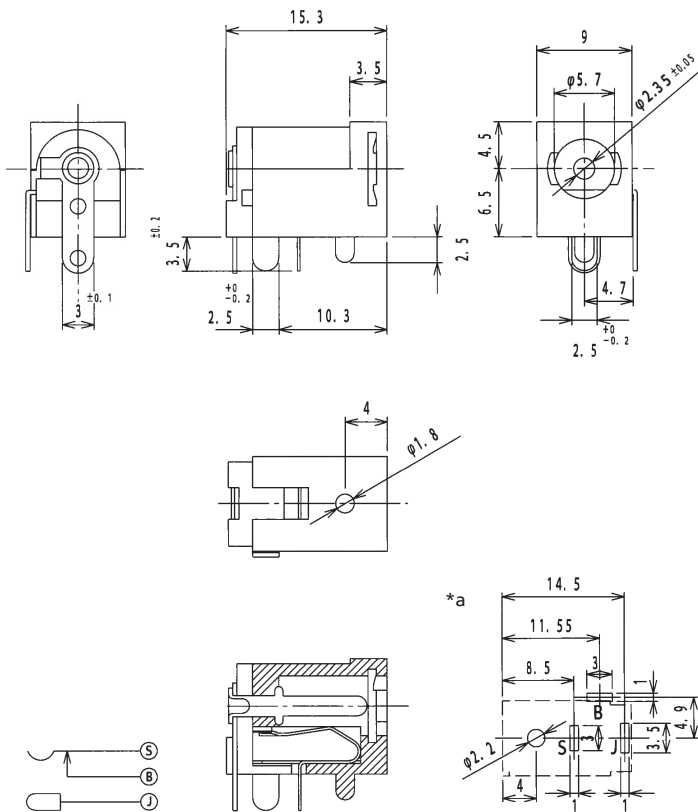
Power supply connectors



Power supply chassis socket, angular version, with bayonet lock, with break contact, for printed circuit boards

16

1613 23



Environmental conditions

Temperature range -20 °C/+70 °C

Materials

Insulating body PC, V-2 according to UL94
Contact Cu alloy, nickel-plated/tin-plated

Mechanical data

Diameter opening 5,7 mm
Diameter center pin 2,35 mm
Mating cycles ≥ 5000
Insertion force 5–20 N
Withdrawal force 4–15 N

Electrical data (at T_{amb} 20 °C)

Contact resistance ≤ 30 m Ω
Rated current 1 A
Rated voltage 12 V DC
Rated impulse voltage 500 V/60 s
Insulation resistance ≥ 100 M Ω

Associated products

Counterparts
☑ 1634 01

*a printed circuit board layout, solder side view

16

1613 23

Designation	Pole Number	PU (Pieces)	MDQ (Pieces)
1613 23	2	250	500

Packaging:

in bulk, in a cardboard box or a plastic bag