

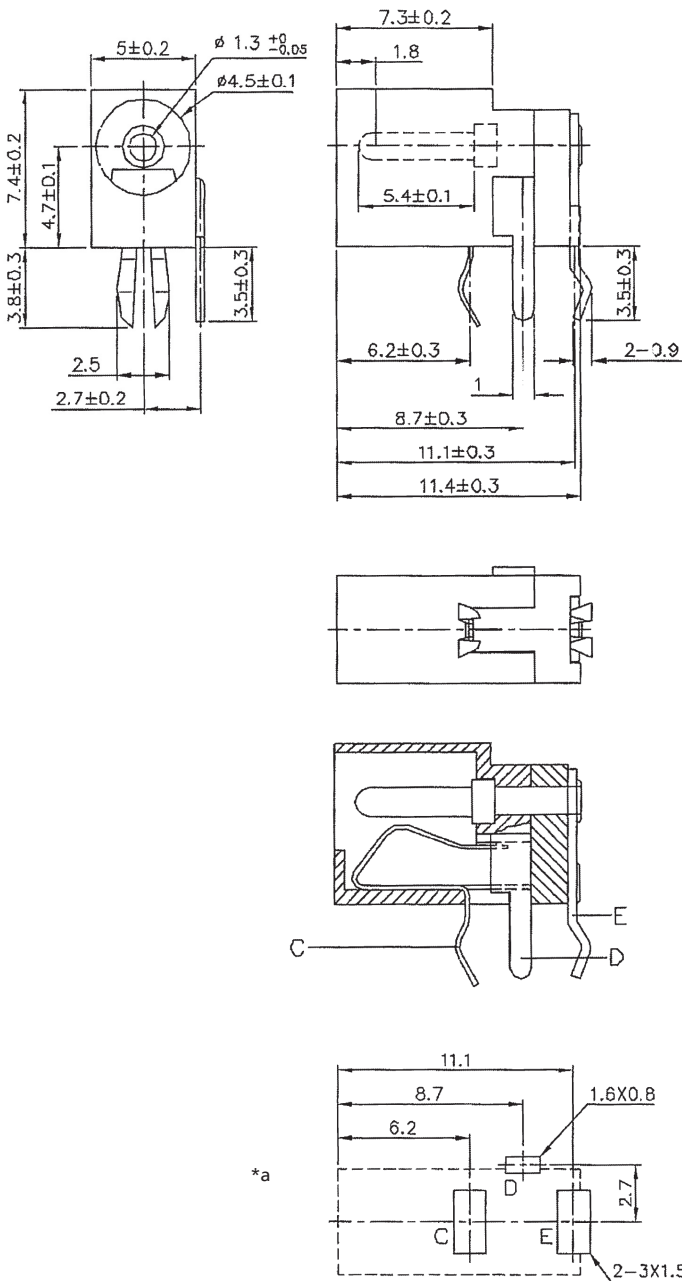
16

1613 26

Power supply connectors



Power supply chassis socket, angular version, with break contact, for printed circuit boards



Environmental conditions

Temperature range -16 °C/+60 °C

Materials

Insulating body	PBT GF, HB according to UL94
Contact spring	Cu alloy, silver-plated
Contact pin	CuZn, nickel-plated
Cover	PC

Mechanical data

Diameter opening	4.5 mm
Diameter center pin	1.3 mm
Mating cycles	≥ 5000 ¹
Insertion force	2.9–29.1 N ²
Withdrawal force	2.91–19.4 N ²

¹ measured with a gauge plug

² measured with a gauge plug, initial value

Electrical data (at T_{amb} 20 °C)

Contact resistance	≤ 30 mΩ
Rated current	0.5 A
Rated voltage	12 V DC
Rated impulse voltage	500 V/60 s
Insulation resistance	≥ 100 MΩ

Associated products

Counterparts
 ☞ 1631 01 ☞ NES/J 135

*a printed circuit board layout, solder side view

16

1613 26

Designation	Pole Number	PU (Pieces)	MDQ (Pieces)
1613 26	2	250	500

Packaging:

in bulk, in a cardboard box or a plastic bag