

16

1613 31

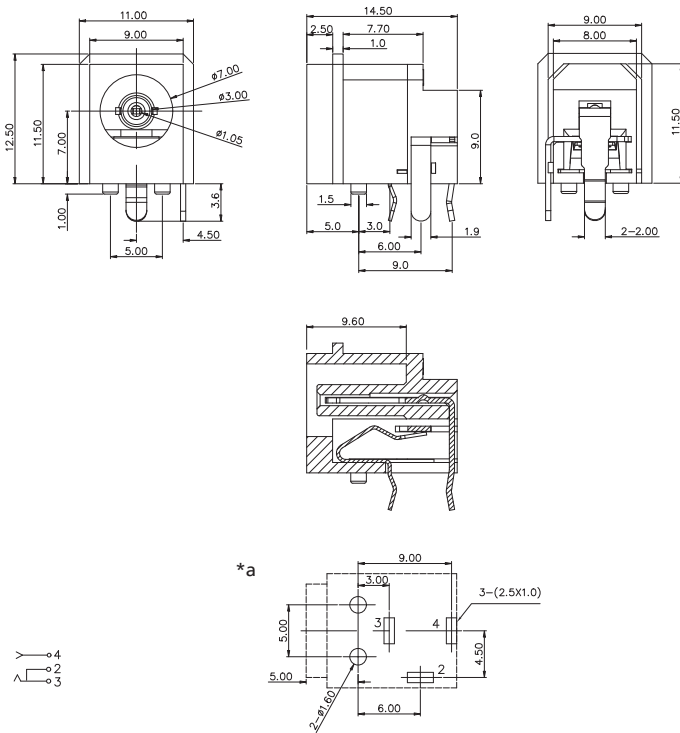
Power supply connectors



Power supply chassis socket, angular version, with break contact, for printed circuit boards

16

1613 31



*a

*a printed circuit board layout, components side view

Environmental conditions

Temperature range -25 °C/+85 °C

Materials

Insulating body PA, V-0 according to UL94
Contact CuSn/CuZn, silver-plated

Mechanical data

Diameter opening 7.0 mm
Diameter insulation 3.0 mm
Diameter central hole 1.05 mm
Mating cycles 5000
Insertion force 3–30 N
Withdrawal force 3–30 N

Electrical data (at T_{amb} 20 °C)

Contact resistance ≤ 30 mΩ
Rated current 3 A
Rated voltage 24 V
Rated impulse voltage 500 V/60 s
Insulation resistance ≥ 100 MΩ

Associated products

Counterparts
☞ 1636 04

16

1613 31

Designation	Pole Number	PU (Pieces)	MDQ (Pieces)
1613 31	2	500	500

Packaging:

in bulk, in a cardboard box or a plastic bag