

16

1614 05

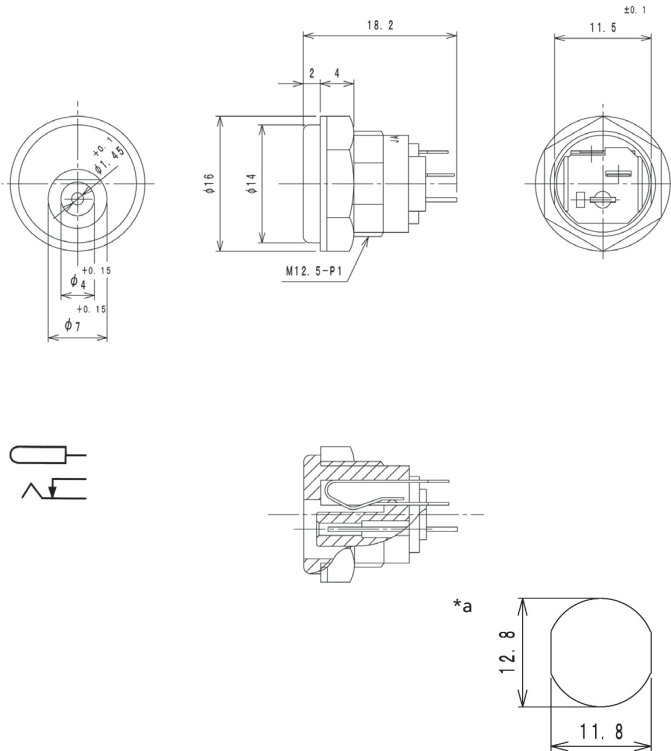
Power supply connectors



Power supply chassis socket acc. to JEITA RC-5320A JSBJ5, straight version, with break contact and solder eyes, for front side mounting

16

1614 05



*a port in mounting plate

Environmental conditions

Temperature range -20 °C/+70 °C

Materials

Insulating body	ABS, HB according to UL94
Contact	Cu alloy, silver-plated/tin-plated
Insulation	PBT (may be PF in a transitional phase)
Hexagonal nut	PA

Mechanical data

Diameter opening	7.0 mm
Diameter insulation	4.0 mm
Diameter central hole	1.45 mm
Mating cycles	≥ 5000
Insertion force	≤ 30 N
Withdrawal force	3–30 N

Electrical data (at T_{amb} 20 °C)

Contact resistance	≤ 30 mΩ
Rated current	2 A
Rated voltage	18 V DC
Rated impulse voltage	500 V/60 s
Insulation resistance	≥ 100 MΩ

Associated products

Counterparts
☞ 1636 05

16

1614 05

Designation	Pole Number	PU (Pieces)	MDQ (Pieces)
1614 05	2	250	500

Packaging:

in bulk, in a cardboard box or a plastic bag